

ZT HD™



Operator's Manual
Manuel de l'utilisateur

GRAVELLY

Models

991152 – ZT HD 48
(SN 000101 +)

991154 – ZT HD 52
(SN 000101 +)

991156 – ZT HD 60
(SN 000101 +)

991160 – ZT HD 44
(SN 000101 +)

991162 – ZT HD 48
(SN 000101 +)

991164 – ZT HD 52
(SN 000101 +)

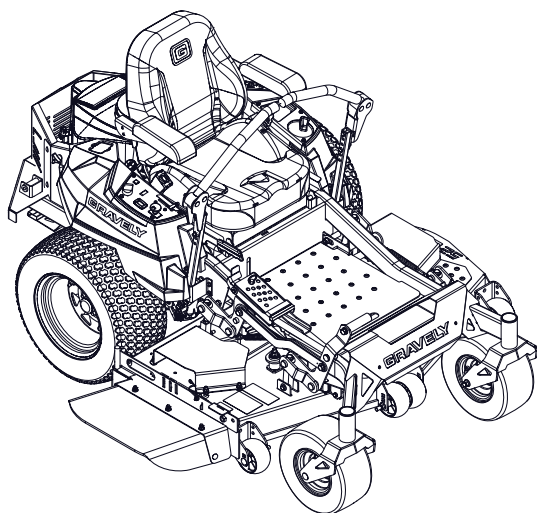
991166 – ZT HD 60
(SN 000101 +)

991180 – ZT HD 44 CARB
(SN 000101 +)

991182 – ZT HD 48 CARB
(SN 000101 +)

991184 – ZT HD 52 CARB
(SN 000101 +)

991186 – ZT HD 60 CARB
(SN 000101 +)



EN ENGLISH

FR FRANÇAIS

05075300C • 6/17

Printed in USA

TABLE OF CONTENTS

WELCOME	1	Check Mower Belts	24
SAFETY	2	Check Hydraulic System	24
Practices & Laws	2	SERVICE & ADJUSTMENTS	26
Emission Control System	2	Adjust Seat	26
Required Operator Training	2	Adjust Steering Levers	26
Safety Alert Symbol	2	Adjust Unit to Drive Straight	27
Signal Words	2	Adjust Transaxles	27
Safety Decals	3	Electrical Service	28
Safety Rules	6	Replace Transaxle Drive Belt	31
ASSEMBLY	11	Adjust Anti-Scalp Rollers	33
CONTROLS AND FEATURES	13	Adjust Parking Brake Lever	33
Ignition Key	14	Remove and Install Mower Deck	33
Throttle Control Lever	14	Level and Pitch Mower Deck	35
Power-Take-Off (PTO) Knob	14	TROUBLESHOOTING	37
Hour Meter	14	STORAGE	39
Height-of-Cut Adjustment System	14	Short-Term Storage	39
Transport Lock Release Lever	15	Long-Term Storage	39
Deck Lift Pedal	15	Start-of-Season Preparation	39
Seat Adjustment Lever	15	ACCESSORIES	39
Parking Brake Lever	15	SPECIFICATIONS	40
Safety Interlock System	15	SPECIFICATIONS	41
Steering Levers	15	SPECIFICATIONS	42
Transaxle Bypass Levers	15	WARRANTY	43
Anti-scalp Rollers	16		
OPERATION	16		
Emergency Stopping	16		
Before Operating Unit	16		
Start the Engine	16		
Operate Unit	17		
Stop the Engine	17		
Move Unit Manually	18		
Transport Unit	18		
Release transport lock	18		
MAINTENANCE	18		
Service Position	18		
Maintenance Schedule	19		
Service Parts	19		
Hour / Maintenance Meter	20		
Check Safety Interlock System	20		
Check Parking Brake	20		
Check Engine Oil	20		
Check Tire Pressure	20		
Check Carbon Canister Filter	21		
Check Fasteners	21		
Lubricate Unit	21		
Check Mower Blades	21		
Battery Service	23		

WELCOME

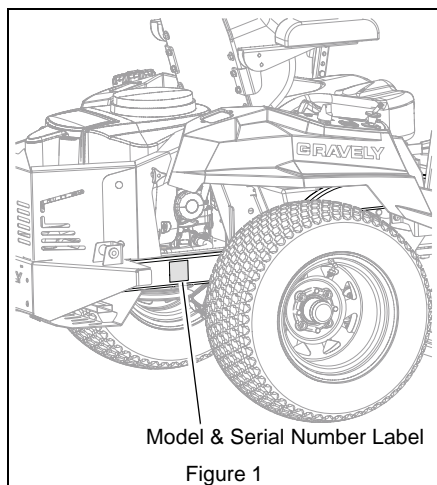
Congratulations on your purchase and welcome to the Gravelly family! Every machine in the Gravelly lineup is designed for long-lasting and unsurpassed performance. We are confident your machine will be part of your family for many years to come.

Have Questions or Need Assistance?
gravelymower.com • gravely.custhelp.com

A parts manual for your unit is available for free download or purchase at gravely.com.
Manual del operador español está disponible para su descarga gratuita o compra en gravely.com.

PRODUCT REGISTRATION

You or the dealer you purchased the unit from must register the product at the time of purchase. Know the model and serial numbers of your unit and register online at gravely.com or return the registration card to Ariens Company. See Figure 1 for label location.



Record model number here.

Record serial number here.

MANUALS

Before operating or servicing the unit, carefully and completely read the manuals provided with the unit. They contain safety instructions and important information about unit controls.

The engine on this unit is covered by a separate manual. Refer to the engine manual for engine service recommendations. Contact the engine manufacturer for a replacement manual if necessary.

Your dealer must review important information in this manual with you before or upon delivery of the unit. It is your responsibility to read and understand all safety precautions and instructions in the manuals. If you do not understand or have difficulty following the instructions, contact your Gravelly dealer for assistance. To locate your nearest Gravelly dealer, go to gravelymower.com.

DISCLAIMER

Gravelly reserves the right to discontinue, make changes to, and add improvements upon its products at any time without public notice or obligation. The descriptions and specifications contained in this manual were in effect at printing. Equipment described in this manual may be optional. Some illustrations may not be applicable to your unit.

SAFETY

Read these safety rules and follow them closely. Failure to follow these rules could lead to loss of control of unit, severe personal injury or death to you or bystanders, or result in damage to property or the machine.

PRACTICES & LAWS

Practice usual and customary safe working precautions. Learn applicable rules and laws in your area. Always follow the practices set forth in this manual.

EMISSION CONTROL SYSTEM

This equipment and/or its engine may include exhaust and evaporative emissions control system components required to meet U.S. Environmental Protection Agency (EPA) and/or California Air Resources Board (CARB) regulations. Tampering with emission controls and components by unauthorized personnel may result in severe fines or penalties. Emission controls and components can only be adjusted by an Ariens Company dealer or an authorized engine manufacturer's service center. Contact your Ariens Company Equipment Retailer concerning emission controls and component questions.

REQUIRED OPERATOR TRAINING



Read and understand the Operator's Manual and decals on the unit. This information is for your safety and the proper use of your equipment. Failure to follow these

instructions and warnings may cause death or serious injury. If you have purchased this product from an Gravely dealer, the dealer can provide you with training.

Familiarize yourself and any other operators with all controls and the safe use of the features of this unit. If you loan, rent or sell this product to others, provide them with all manuals.

If you have any questions, please call our customer support line at 920-756-4688 or contact us at www.gravely.com. Do not use this equipment if, after reading the Operator's Manual and the on-board decals, you have any questions about the safe use of this product.



WARNING: AVOID INJURY. This cutting machine is capable of amputating hands and feet and throwing objects. Failure to observe the safety instructions in the manuals and on decals could result in serious injury or death.

SAFETY ALERT SYMBOL



This is the safety alert symbol. It means:

- **ATTENTION!**
- **YOUR SAFETY IS INVOLVED!**

When you see this symbol:

- **BECOME ALERT!**
- **OBEY THE MESSAGE!**

SIGNAL WORDS

The safety alert symbol above and signal words below are used on decals and in this manual. Read and understand all safety messages.

1. Danger



DANGER: Indicates an **IMMINENTLY HAZARDOUS SITUATION!** If not avoided, **WILL RESULT** in death or serious injury.

2. Warning



WARNING: Indicates a **POTENTIALLY HAZARDOUS SITUATION!** If not avoided, **COULD RESULT** in death or serious injury.

3. Caution



CAUTION: Indicates a **POTENTIALLY HAZARDOUS SITUATION!** If not avoided, **MAY RESULT** in minor or moderate injury. It may also be used to alert against unsafe practices.

4. Notice

NOTICE: Indicates information or procedures that are considered important but not hazard related. If not avoided property damage could result.

5. Important

IMPORTANT: Indicates general reference information worthy of special attention.

SAFETY DECALS

The safety decals on your machine are visual reminders of the important safety information in this manual. All messages on your unit must be fully understood and carefully followed. Safety decals on the machine are explained below.

Safety Decal Locations

ALWAYS replace missing or damaged safety decals. Replacement decal part numbers are found in the parts manual for your machine and may be ordered from your dealer.

See Figure 2 for safety decal locations.

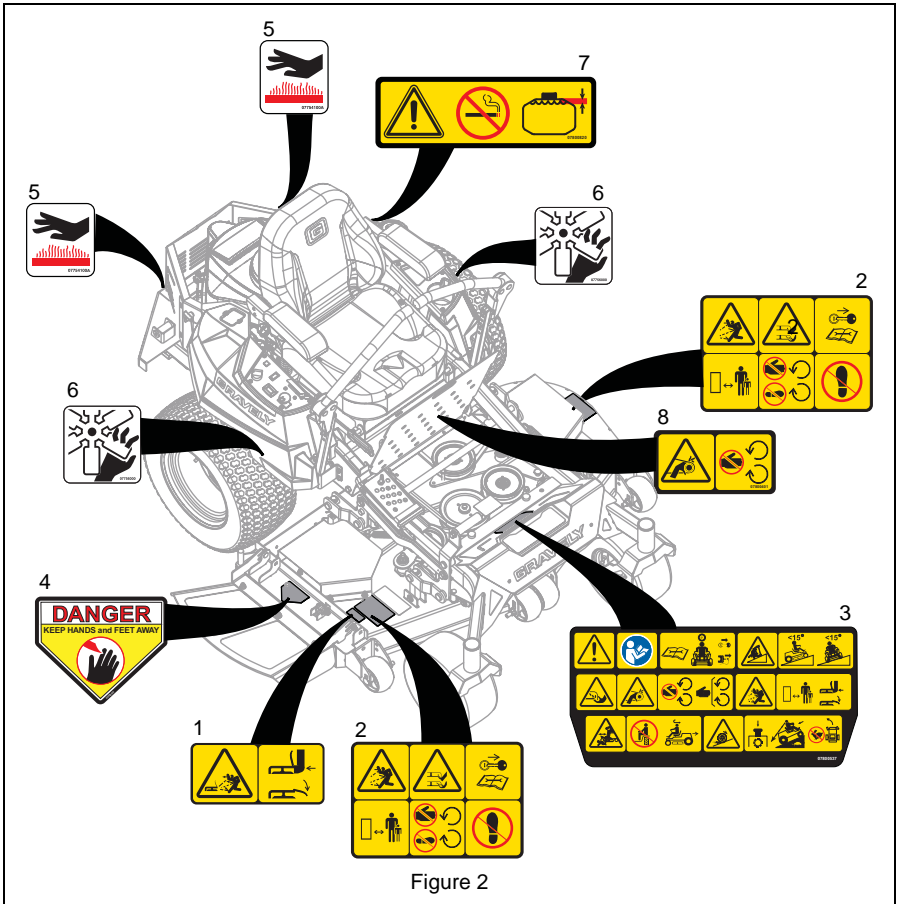


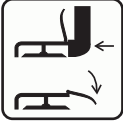
Figure 2

Safety Decal Descriptions

1. DANGER!



Discharge Hazard - NEVER operate unit without discharge chute in operating position. Thrown objects can cause injury or damage.



DO NOT operate mower unless all guards are in operating position or bagger is attached.

2. DANGER!



Discharge Hazard - NEVER direct discharge toward people, pets or property. Thrown objects can cause injury or damage.



Amputation Hazard - NEVER stick hands or feet under deck or shielded areas.



Shut off engine, remove key, and read manual before servicing or making adjustments to unit.



Keep children and others away from unit while unit is in operation.



Keep feet and hands away from all rotating or moving parts.



DO NOT step or stand in this area.

3. DANGER!



DANGER!



Read and understand the operator's manual before operating unit.

3.1 Amputation Hazard



To avoid amputation hazard DO NOT put hands near rotating blades.



To avoid amputation hazard DO NOT put hands near moving belts.



Keep hands away from all rotating or moving parts.

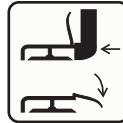


Keep all guards and shields in place.

3.2 Discharge Hazard



Discharge Hazard - NEVER direct discharge toward people, pets or property. Thrown objects can cause injury or damage.



DO NOT operate mower unless all guards are in operating position or bagger is attached.



Keep children and people away from unit during operation.

3.3 Tipping Hazard



Avoid tipping hazard.



DO NOT operate on slopes over 15° .



DO NOT operate on slopes over 15° .

3.4 Service Hazard



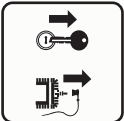
Before servicing unit do the following:



Read owners manual before servicing or making adjustments to unit.



Set parking brake.



Remove key and disconnect spark plug before servicing or making adjustments to unit.

3.5 Bystander Hazard



DO NOT operate the unit in the presence of bystanders.



DO NOT carry passengers.

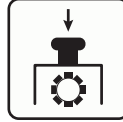


Look behind when operating the unit in reverse.

3.6 Loss of Traction Hazard



If loss of traction is experienced do the following:



Disengage PTO.



Proceed off slope slowly.



DO NOT try to turn or speed up.

4. DANGER!



ALWAYS keep hands and feet away from discharge chute.

5. HOT PARTS!



DO NOT touch parts which are hot from operation. ALWAYS allow parts to cool.

6. ROTATING PARTS!



AVOID INJURY. Stay clear of rotating parts.

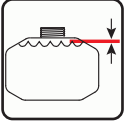
7. DANGER!



DANGER!



No smoking.



IMPORTANT: DO NOT overfill. Fill fuel tank to below bottom of filler neck.

WARNING: Overfilling may cause severe damage to evaporative system!

- NEVER fill fuel tank when engine is running, hot or unit is indoors. NEVER overfill fuel tank.
- Replace fuel cap securely and clean up spilled fuel.

8. DANGER!



To avoid amputation hazard DO NOT put hands near moving belts.



Keep hands away from all rotating or moving parts.

SAFETY RULES

The following safety instructions are based on the B71.1 specifications of the American National Standards Institute and ISO 5395 in effect at the time of production.

Training

Read, understand, and follow all instructions on the machine and in the manual(s) before starting.

Be sure the area is clear of bystanders and pets before operating. Stop machine if anyone enters the area.

Improper use of power equipment can cause serious permanent injury or death to the operator or a bystander.

Understand:

- How to operate all controls
- The functions of all controls
- How to STOP in an emergency
- Braking and steering characteristics
- Turning radius and clearances

If the operator or the mechanic cannot read the manual, it is the owner's responsibility to explain it to them.

ALWAYS train any inexperienced operators and require them to read and understand all manuals and decals.

Only allow responsible adults, who are familiar with the instructions, to operate this machine.

Only the operator can prevent and is responsible for accidents or injuries occurring to themselves, other people or property.

Operator Age

DO NOT allow children under the age of 18 to operate any outdoor power equipment.

Local regulations may restrict the age of the operator.

Data indicates operators age 60 years and above are involved in a large percentage of riding mower-related injuries.

These operators should evaluate their ability to operate the riding mower safely enough to protect themselves and others from serious injury.

Children
Tragic accidents can occur if the operator is not alert to the presence of children. Children are often attracted to the machine and the mowing activity. NEVER assume that children will remain where you last saw them.
Be alert and turn machine off if a child enters the area.
Before and while backing, look behind and down for small children.
NEVER carry children, even with the blade(s) shut off. They may fall off and be seriously injured or interfere with safe machine operation. Children who have been given rides in the past may suddenly appear in the mowing area for another ride and be run over or backed over by the machine.
NEVER allow children to operate the machine.
Use extreme care when approaching blind corners, shrubs, trees or other objects that may block your view of a child.
Keep children out of the mowing area and in the watchful care of a responsible adult other than the operator.

Personal Protection
DO NOT wear loose clothing or jewelry and tie back hair that may get caught in rotating parts.
Wear adequate outer garments.
NEVER wear open sandals or canvas shoes during operation. Wear adequate safety gear, protective gloves and footwear.
Wear proper footwear to improve footing on slippery surfaces.
ALWAYS wear eye and ear protection when operating machine.

Before Operating
Keep all nuts and bolts tight to be sure the equipment is in safe working condition.
Maintain the machine to be in compliance with the maintenance schedule.
Clean grass and debris from unit, especially from around muffler and engine, to help prevent fires.
Check parking brake operation frequently. Adjust and service as required.

Inspect unit before each use for missing or damaged decals and shields, correctly operating safety interlock system, and deterioration of grass catchers. Replace or repair as needed.
Ensure Safety Interlock System is functioning properly. DO NOT operate unit if safety interlock is damaged or disabled.
Start and operate unit only when seated in operator's position. Steering control levers must be in neutral, PTO disengaged and parking brake set when starting engine.
NEVER interfere with the intended function of a safety device or reduce the protection provided by a safety device. Check their proper operation regularly.
Keep machine free of grass, leaves or other debris build-up. Clean up oil or fuel spillage and remove any fuel-soaked debris.

Operation
Be sure the area is clear of bystanders before operating. Stop machine if anyone enters the area.
NEVER operate machine in a closed or poorly-ventilated area.
ALWAYS maintain unit in safe operating condition. Damaged or worn out muffler can cause fire or explosion.
This product is equipped with an internal combustion type engine. DO NOT use unit on or near any unimproved, forest-covered or brush-covered land unless exhaust system is equipped with a spark arrester meeting applicable local, state or federal laws. A spark arrester, if it is used, must be maintained in effective working order by operator.
DO NOT operate machine while feeling tired, ill or under the influence of alcohol or other drugs.
DO NOT put hands or feet near rotating parts or under the machine. Keep clear of the discharge opening at all times.
DO NOT touch parts which are hot. Allow parts to cool.
DO NOT operate machine without the entire grass catcher, discharge guard or other safety devices in place and working.
ALWAYS keep hands and feet away from all pinch points.
Avoid slippery surfaces. ALWAYS be sure of your footing.
NEVER carry passengers.

NEVER direct discharged material toward anyone. Avoid discharging material against a wall or obstruction. Material may ricochet back toward the operator. Stop the blade(s) when crossing gravel surfaces.
NEVER engage PTO when attachment, including mower blades, is not in use. ALWAYS turn off power to attachment when not in active use such as traveling or crossing driveways.
ALWAYS disengage PTO, stop unit and engine, remove key, engage parking brake and allow moving parts to stop before leaving operator's position.
NEVER engage PTO while raising the attachment, including mower blades, or when attachment is in the raised position.
Keep safety devices or guards in place and functioning properly. NEVER modify or remove safety devices.
DO NOT mow in reverse unless absolutely necessary. ALWAYS look down and behind before and while backing.
Stop engine before removing grass catcher or unclogging chute.
Slow down before turning.
If you strike a foreign object, stop and inspect the machine. Repair, if necessary, before restarting.
NEVER leave a running machine unattended. ALWAYS turn off blade(s), set parking brake, stop engine and remove key before dismounting.
Disengage blade(s) when not mowing. Shut off engine and wait for all parts to come to a complete stop before cleaning the machine, removing the grass catcher, or unclogging the discharge guard.
Know the weight of loads. Limit loads to those you can safely control and the unit can safely handle.

Operating Conditions
Lightning can cause severe injury or death. If lightning is seen or thunder is heard in the area, do not operate the machine, seek shelter.
ALWAYS check overhead and side clearances carefully before operation.
Watch for traffic when operating near or crossing roadways.
Clear the area of objects such as rocks, wire, toys, etc., which could be thrown by the blades.

Check for weak spots on docks, ramps or floors. Avoid uneven work areas and rough terrain. Stay alert for hidden hazards or traffic.
Use care when approaching blind corners, shrubs, trees or other objects that may obscure vision.
Dust, smoke, fog, etc. can reduce vision and cause an accident.
Operate machine only in daylight or good artificial light.

Slope Operation
Slopes are a major factor related to loss of control and tip-over accidents, which can result in severe injury or death. Operation on all slopes requires extra caution. If you cannot back up the slope or if you feel uneasy on it, DO NOT mow it.
DO NOT operate on slopes of more than 15°.
Mow up and down slopes, not across.
ALWAYS keep the machine in gear when going down slopes. DO NOT shift to neutral and coast downhill.
Watch for holes, ruts, bumps, rocks, or other hidden objects. Uneven terrain could overturn the machine. Tall grass can hide obstacles.
DO NOT mow on moist or wet grass. Tires may lose traction causing a loss of control.
Use extra care while operating machine with grass catchers or other attachments; they can affect the stability of the machine. DO NOT use on steep slopes.
Keep all movements on the slope <i>slow</i> and <i>gradual</i> . DO NOT make sudden changes in speed or direction, which could cause the machine to roll over.
Avoid starting, stopping, or turning on a slope. If the tires lose traction, disengage the blade(s) and proceed slowly straight down the slope.
Operation on slopes may lead to loss of steering control. When operating on slopes be prepared to react to an emergency situation: <ul style="list-style-type: none"> • Return steering levers to neutral position. • Immediately set parking brake. • Turn off PTO and engine.
DO NOT try to stabilize the machine by putting your foot on the ground.

DO NOT park on slopes unless necessary. When parking on slope ALWAYS chock or block wheels. ALWAYS set parking brake.
Choose a low ground speed so you will not have to stop or shift while on a slope.
DO NOT mow near drop-offs, ditches, or embankments. The machine could suddenly roll over if a wheel goes over the edge or if the edge caves in.
DO NOT bypass transmission or allow transmission to free-wheel when on a slope.

Fuel
To avoid personal injury or property damage, use extreme care in handling gasoline. Gasoline is extremely flammable and the vapors are explosive.
Ethanol blends must not exceed E10. Higher ethanol content may cause your machine to run hotter and damage your engine.
Replace fuel cap securely and clean up spilled fuel before starting engine.
Extinguish all cigarettes, cigars, pipes and other sources of ignition.
Use only an approved gasoline container.
NEVER store the machine or fuel container where there is an open flame, spark or pilot light such as on a water or space heater or other appliances.
NEVER fill containers inside a vehicle or on a truck or trailer bed with a plastic liner. ALWAYS place containers on the ground away from your vehicle before filling.
NEVER fuel the machine indoors.
NEVER remove gas cap or add fuel with the engine running. Allow engine to cool before fueling.
Fuel is highly flammable and its vapors are explosive. Handle with care. Use only an approved gasoline container with an appropriately-sized dispensing spout. NO smoking, NO sparks, NO flames.
Remove gas-powered equipment from the trailer and refuel it on the ground. If this is not possible, then refuel such equipment with a portable container, rather than from a gasoline dispenser nozzle.

Keep the nozzle in contact with the rim of the fuel tank or container opening at all times until the fueling is complete. DO NOT use a nozzle lock-open device.
NEVER overfill fuel tank. Replace gas cap and tighten securely.
If fuel is spilled on clothing, change clothing immediately.

Towing
Follow the manufacturer's recommendations for weight limits for towed equipment and towing on slopes.
NEVER allow children or others in or on towed equipment.
Tow only with a machine that has a hitch designed for towing. DO NOT attach towed equipment except at the hitch point.
On slopes, the weight of the towed equipment may cause loss of traction and loss of control.
Travel slowly and allow extra distance to stop.

Accessories
Follow the manufacturer's recommendation for wheel weights or counterweights
Check grass catcher components and the discharge guard frequently and replace with the manufacturer's recommended parts, when necessary.
Use only Ariens Company-recommended attachments that are appropriate to your use and can be used safely in your application.

Batteries
Avoid electric shock. Objects contacting both battery terminals at the same time may result in injury and unit damage. DO NOT reverse battery connections.
Reverse connections may result in sparks which can cause serious injury. ALWAYS connect positive (+) lead of charger to positive (+) terminal, and negative (-) lead to negative (-) terminal.
ALWAYS disconnect negative (-) cable FIRST and positive (+) cable SECOND. ALWAYS connect positive (+) cable FIRST, and negative (-) cable SECOND.
Explosive gases from battery can cause death or serious injury. Poisonous battery fluid contains sulfuric acid and its contact with skin, eyes or clothing can cause severe chemical burns.

No flames, No sparks, No smoking near battery.
ALWAYS wear safety glasses and protective gear near battery. Use insulated tools.
ALWAYS keep batteries out of reach of children.
Battery posts, terminals and related accessories contain lead and lead compounds, chemicals known to the state of California to cause cancer and reproductive harm. Wash hands after handling.

Service
The use of non-genuine replacement parts or accessories could adversely affect machine operation and safety.
Do not change engine governor setting or overspeed the engine.
Maintain or replace safety and instruction labels as necessary.
Keep unit free of debris. Clean up oil or fuel spills.
ALWAYS block wheels and know all jack stands are strong and secure and will hold weight of unit during maintenance.
Release any pneumatic or hydraulic pressure from components slowly.
NEVER attempt to make any adjustments to unit while engine is running (except where specifically recommended). Stop engine, remove key and spark plug wire and wait for all moving parts to stop before servicing or cleaning.
Lower cutting deck unless a positive mechanical lock is used.
Allow engine to cool before servicing.
Moving parts can cut or amputate fingers or a hand. On multiblade mowers, rotation of one blade will cause all blades to rotate.
NEVER weld or straighten mower blades.
NEVER make adjustments or repairs with the engine running.
Mower blades are sharp. Wrap the blade or wear gloves, and use extra caution when servicing them.
ALWAYS keep body and hands away from pin holes or nozzles which eject hydraulic fluid under pressure.

Transporting Unit
Use extra care when loading or unloading the machine into a trailer or truck.
Secure unit chassis to transport vehicle. NEVER secure from rods or linkages that could be damaged.
DO NOT transport machine while engine is running.
ALWAYS turn off power to attachment and shut off fuel when transporting unit.

Storage
NEVER store unit with fuel in fuel tank inside a building where any ignition sources are present.
Keep machine free of grass, leaves or other debris build-up. Clean up oil or fuel spillage and remove any fuel-soaked debris. Allow machine to cool before storing.
For extended storage, close fuel shut off valve and clean unit thoroughly. See engine manual for proper storage.

ASSEMBLY



WARNING: AVOID INJURY.
Read and understand the *Safety* section before proceeding.

1. Remove wrap and packaging materials from unit.
2. Remove unit from shipping container. See *Move Unit Manually* on page 18.
3. Return seat to operating position. See Figure 3.

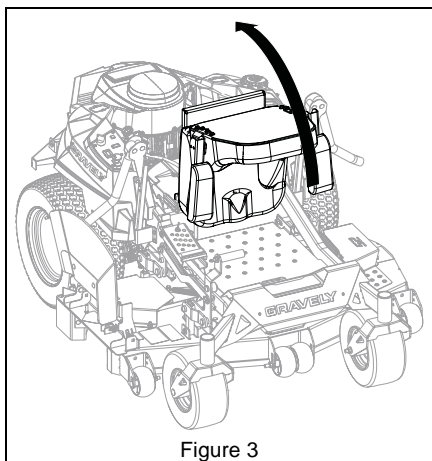


Figure 3

4. Place the discharge chute in the operating position. See Figure 4.

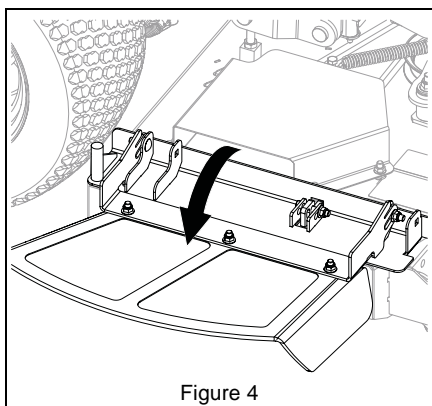
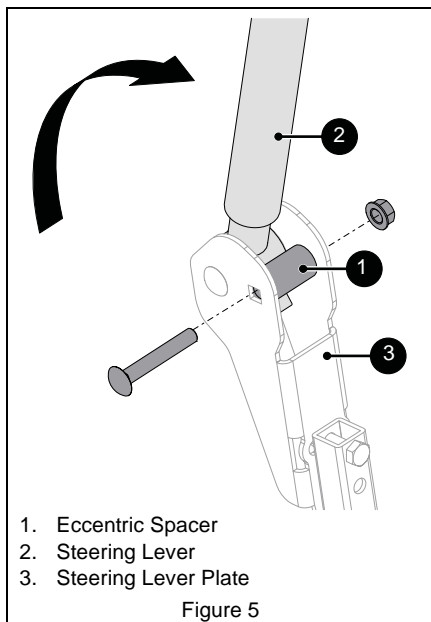


Figure 4

5. Remove two eccentric spacers, two round head square neck bolts and two locking nuts from hardware bag.

6. Rotate steering levers to operating position and install eccentric spacer between steering lever plates. Secure with hardware. See Figure 5.



1. Eccentric Spacer
2. Steering Lever
3. Steering Lever Plate

Figure 5

4. Adjust steering levers. See *Adjust Steering Levers* on page 26.
5. Check tire pressures and inflate to recommendation. See *Specifications* on page 40.



WARNING: AVOID INJURY.
Explosive separation of tire and rim parts is possible.

- DO NOT inflate tires above maximum pressure listed on tire sidewalls.
- DO NOT inflate tires with a compressor; use a hand pump.
- DO NOT stand in front of tire assembly when inflating. Use a clip-on chuck and extension hose long enough to allow you to stand to one side.

WARNING: DO NOT mount a tire without proper equipment and experience.

6. Remove battery from unit and charge.
See *Charge Battery* on page 24.
7. Make sure deck is level. See *Level and Pitch Mower Deck* on page 35.
8. Ensure all hardware is tight.

CONTROLS AND FEATURES

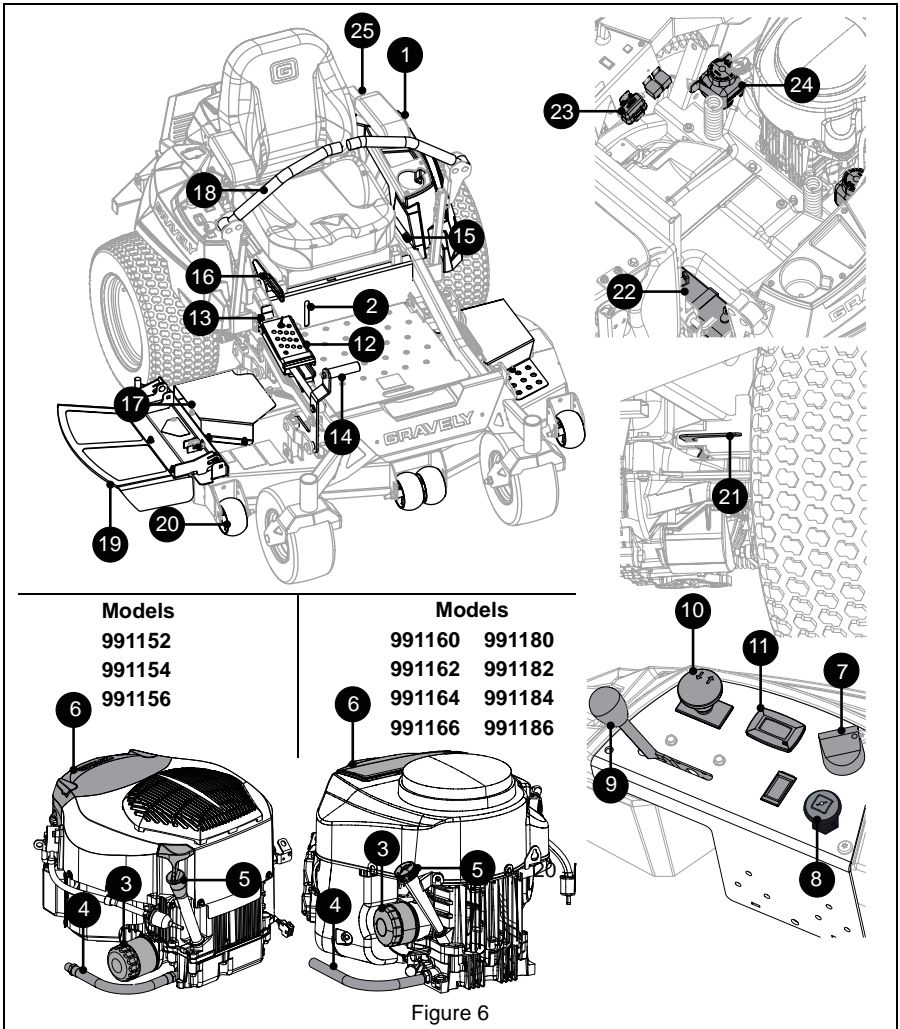


Figure 6

1. Fuel Tank and Cap
2. Fuel Level Window
3. Oil Filter
4. Oil Drain
5. Engine Oil Dipstick
6. Air Filter
7. Ignition Key
8. Choke Control Knob (Models 991160, 162, 164, 166, 180, 182, 184, 186)
9. Throttle Control Lever
10. Power Take-off (PTO) Knob
11. Hour Meter
12. Height-of-Cut Adjustment System
13. Transport Lock Release Lever
14. Deck Lift Pedal
15. Seat Adjustment Lever
16. Parking Brake Lever
17. Belt Cover (2)
18. Steering Lever (2)
19. Discharge Chute
20. Anti-Scalp Roller (6)
21. Transaxle Bypass Lever (2)
22. Battery (Under Seat)
23. Fuse Box
24. Hydraulic Oil Expansion Tank (2)
25. Carbon Canister (Models 991180, 182, 184, 186)



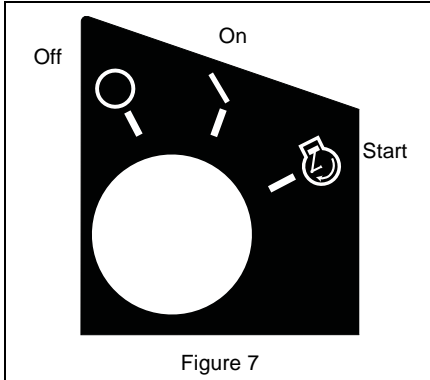
WARNING: AVOID INJURY.
Read and understand the
Safety section before
proceeding.

See Figure 6 for all controls and features locations.

IGNITION KEY

See Figure 7.

Controls power to the engine. The key cannot be removed when in run position.

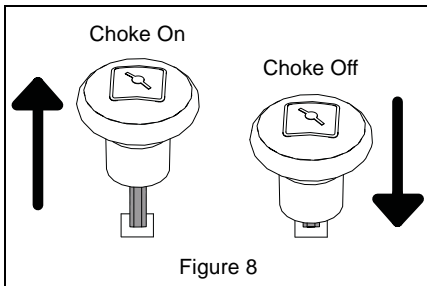


CHOKE CONTROL KNOB

Models 991160, 162, 164, 166, 180, 182, 184, 186

See Figure 8.

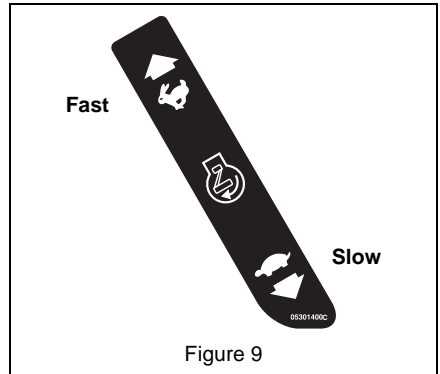
Controls airflow to the engine.



THROTTLE CONTROL LEVER

See Figure 9.

Controls engine speed.



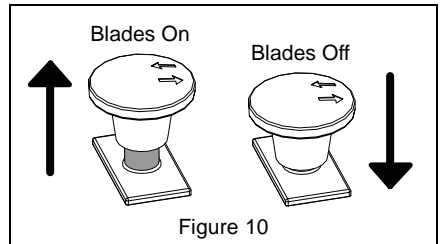
POWER-TAKE-OFF (PTO) KNOB

See Figure 10.

Controls power to mower blades. The engine will not start with the PTO knob in the on position.



WARNING: AVOID INJURY.
Blades will not *immediately*
stop after pushing PTO knob
down to off position.



HOUR METER

Displays the amount of time spent on individual jobs, service alerts, and recommended service intervals.

HEIGHT-OF-CUT ADJUSTMENT SYSTEM

Sets the height of cut.

TRANSPORT LOCK RELEASE LEVER

See Figure 11.

Releases deck from transport lock position.

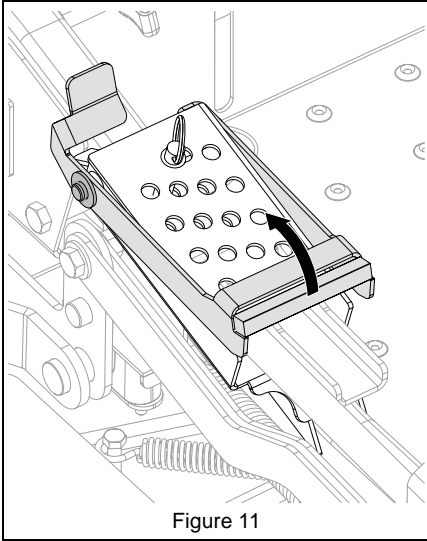


Figure 11

DECK LIFT PEDAL

Raises mower deck to change height-of-cut setting.

SEAT ADJUSTMENT LEVER

Unlocks seat to allow operator to move seat forward or backward and then lock in desired position.

PARKING BRAKE LEVER

See Figure 12.

Controls the parking brake. The engine will not start with brake in the off position.

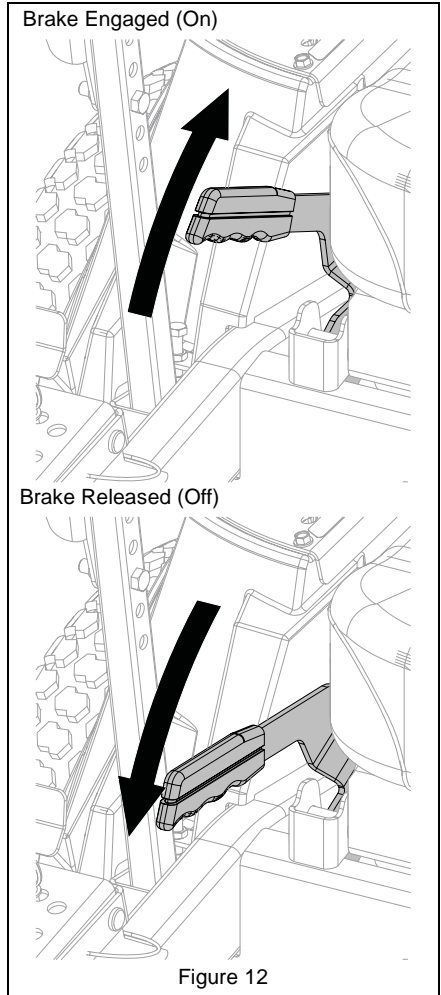


Figure 12

SAFETY INTERLOCK SYSTEM

Monitors the interaction of various unit features for operator safety.

STEERING LEVERS

Control the direction and speed of unit. The levers gradually return to neutral when released and are locked in neutral when parking brake is set.

TRANSAXLE BYPASS LEVERS

Engage and disengage the transaxles so unit may be moved with the engine off.

ANTI-SCALP ROLLERS

Help prevent the deck from contacting the ground and scalping the lawn when passing over a high spot.

OPERATION



WARNING: AVOID INJURY.
Read and understand the *Safety* section before proceeding.

IMPORTANT: All references to left, right, front or rear are given from the perspective of operator in operator's position, facing the direction of forward travel.

EMERGENCY STOPPING

1. Move steering levers to neutral position.
2. Set parking brake.
3. Push PTO knob down to off position.
4. Turn ignition key to off position and remove key.

BEFORE OPERATING UNIT

1. Check fuel level and add fuel if needed.

IMPORTANT: Use fresh unleaded fuel with an octane rating of at least 87. DO NOT use E85 blended fuels; the engine is not E20 / E30 / E85 compatible. The maximum recommended ethanol content is 10%. Gravely recommends using a quality fuel stabilizer in all fuel. See *Short-Term Storage* on page 39.

2. Check engine oil level and add oil if needed. Refer to engine manual.
3. Check condition of air cleaner. Refer to engine manual.
4. Check function of the Safety Interlock System by performing the tests in *Check Safety Interlock System* on page 20. Contact your Gravely dealer for repair if any of the tests fail.
5. Set cutting height. See Figure 13.
 - a. Push mower lift pedal forward until transport lock engages.
 - b. Insert adjustment pin through desired setting in height-of-cut adjustment system.
 - c. Push mower lift pedal slightly forward, release transport lock and slowly release pedal until it contacts adjustment pin and stops.

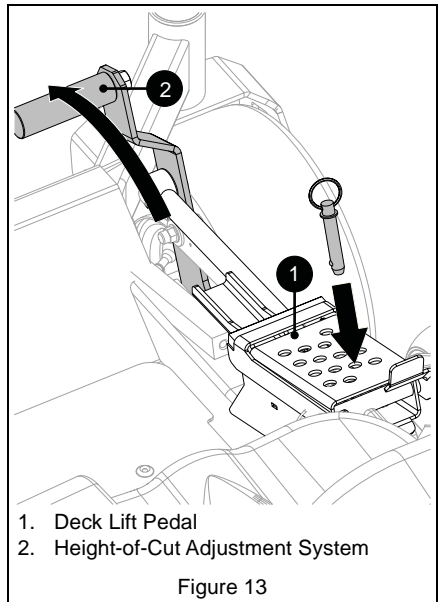


Figure 13

START THE ENGINE

1. Push PTO knob down to off position.
2. Move steering levers to neutral position.
3. Engage parking brake.
4. *Models 991160, 162, 164, 166, 180, 182, 184, 186 Only:* If engine is cold, pull choke knob up to on position. If engine is warm or hot, turn choke off.
5. Set throttle to slow speed.
6. Insert ignition key and turn to start position. Release key when engine starts.
7. *Models 991160, 162, 164, 166, 180, 182, 184, 186 Only:* If choke is on, wait a few seconds after engine starts and then push choke knob down to off position.

IMPORTANT: Make sure choke is completely off. Engine will not run smoothly using partial choke.

OPERATE UNIT

1. Release parking brake.


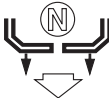
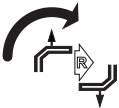
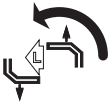



WARNING: AVOID INJURY.
Move the steering levers slowly and keep the throttle at slow speed until you learn how to operate the unit.

2. Set throttle to slow speed.
3. Pull PTO knob up to on position.

IMPORTANT: Never engage the PTO if the mower is plugged with grass or other material. This may cause damage to the electric clutch.

4. Move throttle control lever to fast.
5. Move steering levers to begin mowing.

Direction of Travel	Lever Position	
Forward	Push both levers forward from neutral position.	
Reverse	Pull both levers backward from neutral position.	
Right Turn	Push left lever farther forward than the right lever.	
Left Turn	Push right lever farther forward than the left lever.	
Stop	Return both levers to neutral position.	

IMPORTANT: Aggressive turning can scuff or damage lawns. Always keep both wheels rotating when making sharp turns. **DO NOT** make turns with inside wheel completely stopped. For minimum turning radius, slowly reverse inside wheel while moving outside wheel slowly forward.

For Best Mowing Results

- Cut grass when it is dry.
- Keep mower blades sharp.
- Keep mower deck properly leveled.
- Adjust anti-scalp rollers to prevent scalping.
- Do not set height of cut too low. For very tall grass, mow twice.
- Do not travel too fast.
- Mow with the engine set at full throttle.
- When mulching, only remove 1/3 of grass length per cutting. Do not cut more than 2.5 cm (1") at any one time.
- Discharge clippings into areas already cut.
- Vary cutting pattern with each mowing.
- Do not allow grass or debris to collect inside of mower deck. Clean after each use.

STOP THE ENGINE



WARNING: AVOID INJURY.
Wait for all moving parts to stop before leaving operator's position.

1. Place steering levers in neutral position and rotate outward.
2. Engage parking brake.
3. Push PTO knob down to off position.
4. Set throttle to slow speed.
5. Turn ignition key to off position and remove key.

MOVE UNIT MANUALLY

Bypass the transaxles to move the unit with the engine off.

See Figure 14.

IMPORTANT: There is one transaxle bypass lever on each side of unit. Ensure that both levers are fully in front or rear position.

1. Stop engine, remove key and wait for moving parts to stop and for hot parts to cool. See *Stop the Engine* on page 17.
2. Pull both transaxle bypass levers out into bypass position.

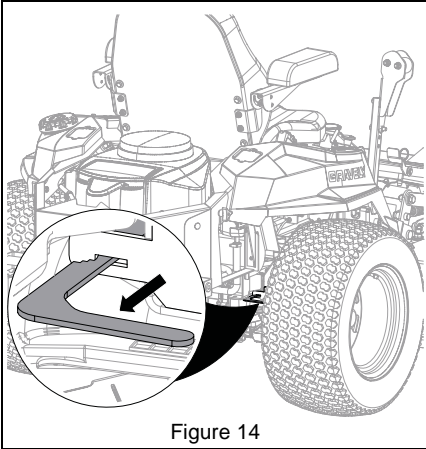


Figure 14

3. Release parking brake and push unit to desired location.
4. Engage parking brake.
5. Return transaxle bypass levers to operating position. See Figure 15.

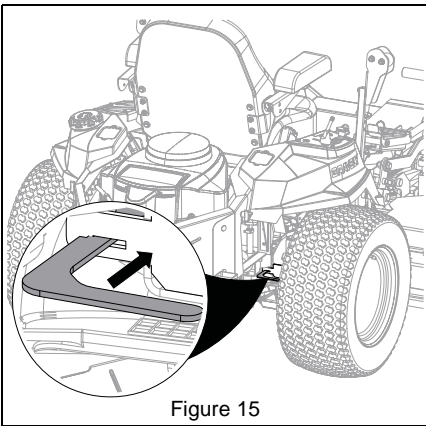


Figure 15

TRANSPORT UNIT

1. Push deck lift pedal completely forward to engage transport lock. Release pedal.
2. Move unit to transport vehicle.
3. Stop engine, engage parking brake, remove key from ignition.
4. Secure mower frame to transport vehicle.

NOTICE: NEVER secure unit to vehicle from rods or linkages that could be damaged.

RELEASE TRANSPORT LOCK

1. Push deck lift pedal forward and lift transport lock release lever.
2. Slowly return mower lift pedal to resting position.

MAINTENANCE



WARNING: AVOID INJURY.
Read and understand the *Safety* section before proceeding.

Proper maintenance can prolong the life of unit. The *Maintenance Schedule* on page 19 shows the recommended service schedule.

Your Gravely dealer can provide service and adjustments to keep your unit operating at peak efficiency. Contact an authorized engine manufacturer's service center for engine service.

More frequent service may be required due to working conditions (heavy loads, high ambient temperatures, dusty conditions, or airborne debris).

See the maintenance instructions in the Engine Manual for additional information.

SERVICE POSITION

See Figure 16.

1. Park unit on a flat, level surface.
2. Stop engine, remove key and wait for moving parts to stop and for hot parts to cool.
3. Chock wheels. Strap and clamp unit onto lift, if used.
4. Place steering levers in neutral position and rotate outward.
5. Engage parking brake.
6. Rotate seat forward.

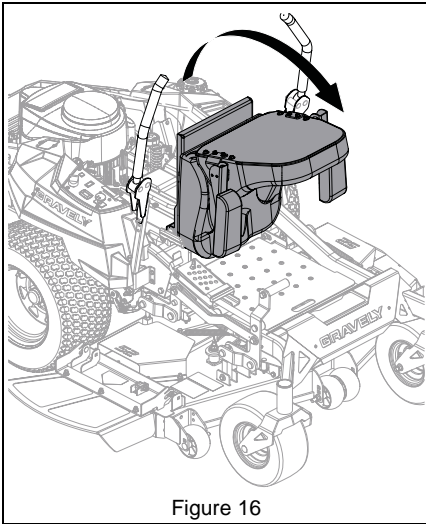


Figure 16

SERVICE PARTS

See your Gravely dealer to purchase service parts for your unit.

Description	Qty.	Part No.
Transaxle Drive Belt	1	07225600
Mower Belt – Left 44"	1	07200814
Mower Belt – Right 44"	1	07200805
Mower Belt – Left 48"	1	07200815
Mower Belt – Right 48"	1	07200805
Mower Belt – Left 52"	1	07200816
Mower Belt – Right 52"	1	07200806
Mower Belt – Left 60"	1	07200817
Mower Belt – Right 60"	1	07200807
Mower Blade – 44"	3	00450200
Mower Blade – 48"	3	00450200
Mower Blade – 52"	3	03253800
Mower Blade – 60"	3	03253900
Front Wheel and Tire Assembly	2	07101226
Drive Wheel and Tire Assembly – 44, 48"	2	07101224
Drive Wheel and Tire Assembly – 52"	2	07101211
Drive Wheel and Tire Assembly – 60"	2	07101227
Seat Switch	1	02754100
Armrest Kit – Left & Right	1	59109900
Hydraulic Oil	AR	00057100
Hydraulic Oil Filter	2	21545100
Spark Plug (Models 991152, 154, 156)	2	21541700
Spark Plug (Models 991160, 162, 164, 166, 180, 182, 184, 186)	2	21547800
Fuel Filter (Models 991152, 154, 156)	1	21545700
Fuel Filter (Models 991160, 162, 164, 166, 180, 182, 184, 186)	1	21548101
Engine Oil Filter (Models 991152, 154, 156)	1	21550800
Engine Oil Filter (Models 991160, 162, 164, 166, 180, 182, 184, 186)	1	21548100
Air Filter (Models 991152, 154, 156)	1	21545800
Air Filter (Models 991160, 162, 164, 166, 180, 182, 184, 186)	1	21548000

MAINTENANCE SCHEDULE

Service Performed	Each Use	Every 25 hrs.	Every 50 hrs.	Every 100 hrs.	Every 400 hrs.
Check Safety Interlock System	•				
Check Hydraulic System	•				
Check Parking Brake	•				
Check Engine Oil *	•				
Change Engine Oil *					
Check Tire Pressure	•				
Check Mower Blades	•				
Check Battery		•			
Clean Battery		•			
Check Carbon Canister Filter			•		
Check Air Filter *			•		
Check Fasteners			•		
Lubricate Unit			•		
Clean Engine Cooling System*				•	
Check Belts				•	
Change Hydraulic Oil and Filter **					•

* Refer to engine manual for instructions.
 **Change after first 75 hours of operation.

HOOR / MAINTENANCE METER

Hour Meter-only Models

Hour meter measures engine runtime and cannot be reset.

Maintenance Models

See Figure 17.

When the key is in the on position, the Timer mode displays. Press the Mode button to toggle between different modes.

Timer: Measures engine runtime until reset. To reset the timer, press the Mode button to select TMR1 mode and then hold Mode button for 3 seconds.

IMPORTANT: Turn ignition key to the off position when unit is not in use. Some meters may count hours when the key is in the on position, even if the engine is off. This results in inaccurate maintenance intervals.

Service Alerts: Counts down hours until service is needed and displays "Now" when service is due. Service time is measured for:

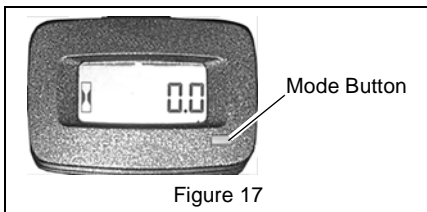
- Engine oil and filter changes (CHG OIL)
- Hydraulic oil and filter changes (CHG H OIL)
- Air filter service (SVC AIRFILTER)

The service intervals preset into the hour meter are:

- Hydraulic oil and filter: First 75 hours and every 400 hours thereafter
- Engine oil and filter: First 25 hours and every 100 hours thereafter
- Air filter: Every 100 hours

NOTICE: The preset engine oil services intervals are normal recommended intervals. Specific engine manufacturer's recommendations may vary.

To clear a service message, press the Mode button to select Service Alert mode and then hold the Mode button for 3 seconds.



CHECK SAFETY INTERLOCK SYSTEM

Check function of the Safety Interlock System by performing the tests below. Contact your Gravelly dealer for repair if any of the tests fail.

Test	Steering Levers	PTO	Parking Brake	Result
Starting Interlock				
1	Neutral	Off	On	Engine starts.
2	Forward, Neutral, Reverse	On	On or Off	Engine does not start.
3	Forward, Neutral, Reverse	On or Off	Off	Engine does not start.
Operating Interlock (Engine On)				
4 *	Forward, Neutral, Reverse	On	On or Off	Engine shuts off.
5 *	Forward, Neutral, Reverse	On or Off	Off	Engine shuts off.
* When operator lifts off seat.				

CHECK PARKING BRAKE

1. Park unit on a flat, level surface.
2. Position steering levers in neutral.
3. Engage parking brake.
4. Stop engine and wait for moving parts to stop and for hot parts to cool.
5. Bypass transaxles. See *Move Unit Manually* on page 18.
6. Push unit forward.
 - If unit does not move forward, no adjustment is needed.
 - If unit moves forward easily, adjust the brake lever.

CHECK ENGINE OIL

NOTICE: Engine oil level must be maintained at correct level or engine damage may occur. Refer to engine manual.

CHECK TIRE PRESSURE

See *Specifications* on page 40 for recommended tire pressure.

**WARNING: AVOID INJURY.**

Explosive separation of tire and rim parts is possible.

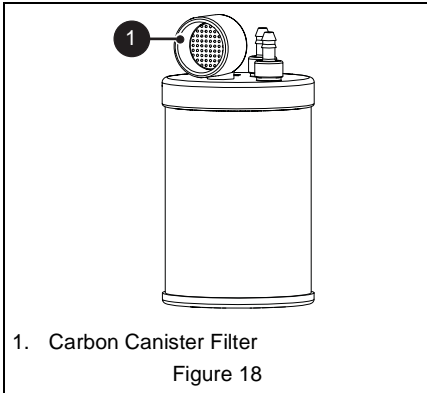
- DO NOT inflate tires above the recommended pressure.
- DO NOT inflate tires with a compressor; use a hand pump.
- DO NOT stand in front of tire assembly when inflating. Use a clip-on chuck and extension hose long enough to allow you to stand to one side.
- DO NOT mount a tire without proper equipment and experience.

CHECK CARBON CANISTER FILTER

Models 991180, 182, 184, 186

See Figure 18.

Clean or replace filter whenever engine air filter is cleaned or replaced.



1. Carbon Canister Filter

Figure 18

CHECK FASTENERS

Check for loose or missing hardware.

LUBRICATE UNIT

1. Apply oil to all pivot points and pin connections.
2. Pump grease into grease fittings.

Lubricate Seat

See Figure 19.

1. Tip seat forward.
2. Apply grease to seat tracks through slots under seat plate.

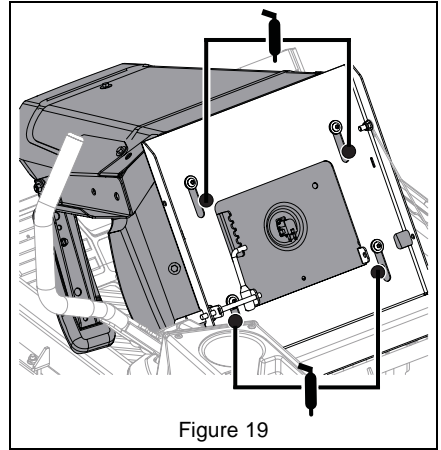


Figure 19

3. Return seat to operating position and slide seat back and forth to spread grease along tracks.

CHECK MOWER BLADES

Check blades for wear. Replace or sharpen as needed.

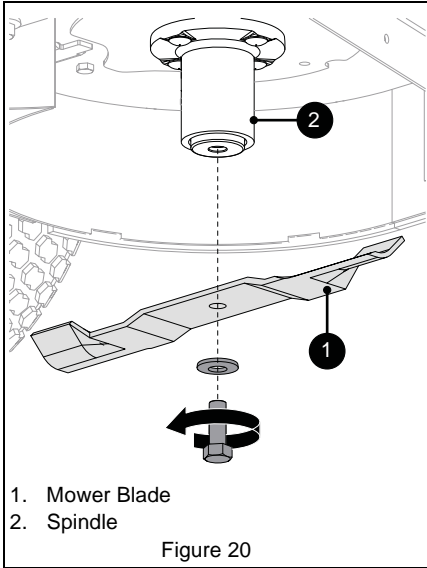


CAUTION: AVOID INJURY. Use sturdy gloves or padding to protect hands when working with mower blades.

Rotation of one blade rotates the other blades.

Remove Blades

1. Stop engine, remove key and wait for moving parts to stop and for hot parts to cool.
 2. Disconnect spark plug wires.
- See Figure 20.
3. Remove hardware securing blades to spindles and remove blades. Retain all hardware for reinstallation.



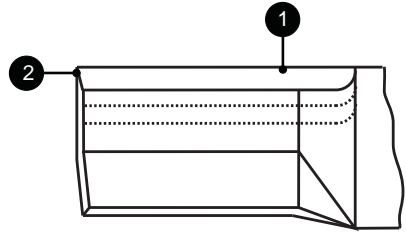
Sharpen Blades



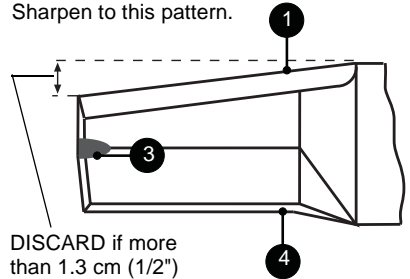
CAUTION: DO NOT sharpen blades while attached to unit.

1. Remove blades. Discard blades if:
 - More than 1.3 cm (1/2") of metal is removed.
 - Air lifts are eroded.
 - Blades are bent or broken.
2. File or grind an equal amount of material from each cutting edge of the blade until sharp. DO NOT change angle of cutting edge or round the corner of the blade. See Figure 21.

DO NOT sharpen to this pattern.



Sharpen to this pattern.



DISCARD if more than 1.3 cm (1/2")

1. Cutting Edge
2. Square Corner
3. Air Lift Erosion
4. Air Lift

Figure 21



CAUTION: Unbalanced blades cause excessive vibration and eventual damage to unit. Balance blades before reinstalling on unit. NEVER weld or straighten blades.

3. Check blade balance by sliding blade on an unthreaded bolt. If blade does not remain horizontal, sharpen the heavy end until blade is balanced.

Install Blades

See Figure 20.

1. Reinstall blades and secure with original hardware. Torque to 156 N•m – 217 N•m (115 lb-ft – 160 lb-ft).

BATTERY SERVICE



WARNING: Battery posts, terminals and related accessories contain lead and lead compounds, chemicals known to the State of California to cause cancer and reproductive harm. Wash hands after handling.

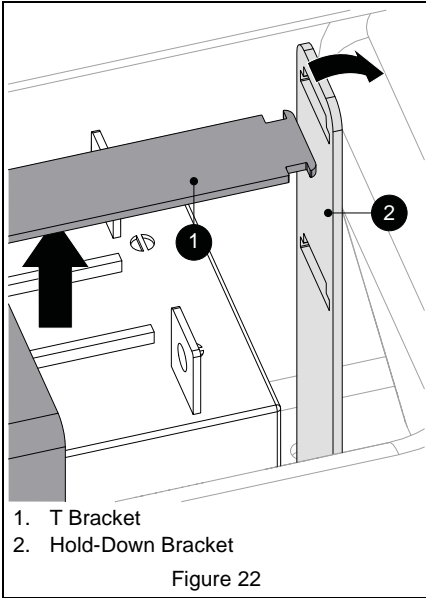
Remove Battery

Remove Factory Battery

1. Place unit in service position. See *Service Position* on page 18.
2. Disconnect the negative cable and then the positive cable from the battery.

See Figure 22.

3. Loosen hex nut securing right hold-down bracket to frame.
4. Remove T bracket from lower slots in hold-down brackets.
5. Remove battery.



Remove U1 Battery

1. Place unit in service position. See *Service Position* on page 18.
2. Disconnect the negative cable and then the positive cable from the battery.
3. Loosen hex nut securing right hold-down bracket to frame.

4. Remove T bracket from upper slots in hold-down brackets. Retain for reinstallation.
5. Remove battery.

Clean Battery

1. Clean terminals and battery cable ends with a wire brush.
2. Coat terminals with dielectric grease or petroleum jelly.

Install Battery



CAUTION: DO NOT allow direct metal contact across battery posts.

Install Factory Battery

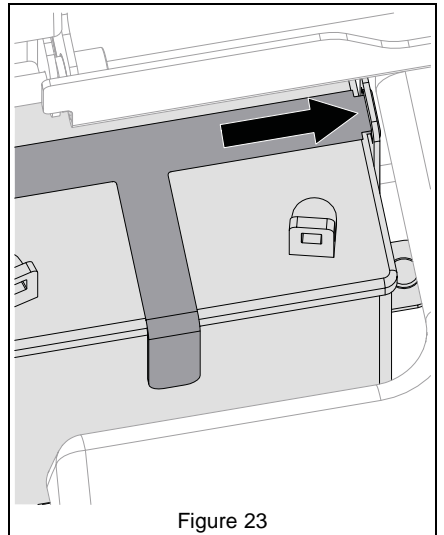
1. Reinstall positive cable and then the negative cable.
2. Insert T bracket through lower slots in hold-down brackets.
3. Tighten hex nut securing right hold-down bracket to frame.
4. Return seat to operating position

Install U1 Battery

1. Reinstall positive cable and then the negative cable.
2. Insert T bracket through upper slots in hold-down brackets.

See Figure 23.

3. Tighten hex nut securing right hold-down bracket to frame.
4. Return seat to operating position.



Charge Battery

Check battery with a voltmeter. If battery is less than 11 volts, charge battery.

NOTICE: DO NOT fast charge. Charging at a higher rate damages or destroys the battery. ONLY use an automatic charger designed for use with your battery.

NOTICE: Always follow information provided on battery by battery manufacturer. Contact battery manufacturer for detailed information about charging.

1. Remove battery from unit. See *Remove Battery* on page 23.
2. Place battery on bench or other well-ventilated area.
3. Connect positive lead of charger to positive battery terminal.
4. Connect negative lead of charger to negative battery terminal.
5. Charge battery following battery manufacturer's instructions.
6. Reinstall battery. See *Install Battery* on page 23.

Jump Starting

Gravely does not recommend jump starting your unit. Jump-starting can damage engine and system components. Refer to engine manual for details.

CHECK MOWER BELTS

Check belts for wear and replace as needed.

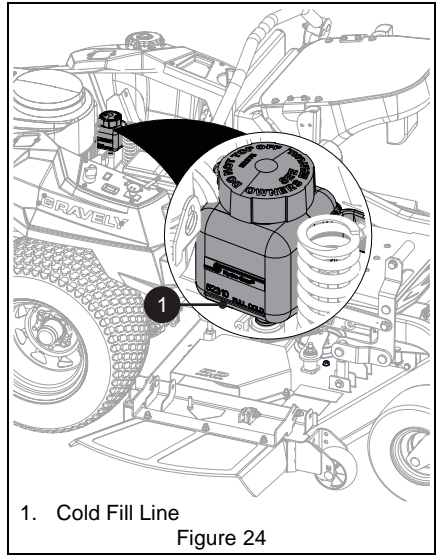
CHECK HYDRAULIC SYSTEM

Check Hydraulic Oil Level

See Figure 24.

1. Place unit in service position. See *Service Position* on page 18.
2. Check oil level in expansion tanks. Oil should reach the cold fill indicator mark.

IMPORTANT: Engine should be cold when checking initial oil level.



2. Operate engine for 1 minute and recheck oil levels.
3. Add hydraulic oil, if needed.
 - a. Remove expansion tank caps.
 - b. Fill expansion tanks with 15W-50 synthetic motor oil (Gravely p/n 00057100) or equivalent until oil reaches the cold fill indicator mark. See Figure 25.
 - c. Reinstall expansion tank caps.

Change Hydraulic Oil and Filter

1. Operate unit for a few minutes to warm hydraulic oil.
 2. Stop engine, remove key and wait for all moving parts to stop and for hot parts to cool.
 3. Position container under oil filter to catch used oil.
- See Figure 25.
4. Remove filter guard and oil filter from transaxle.
 5. Remove the vent / fill plug from the fill port and allow transaxle to drain completely.

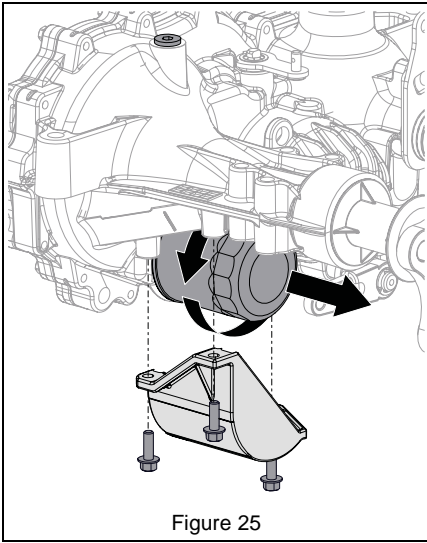


Figure 25

Purge Hydraulic System

Purge air from hydraulic system after draining oil or changing the filter.



WARNING: AVOID INJURY.

This adjustment requires operating the engine. Use extreme care to avoid contact with moving parts and hot surfaces. Be sure rear of unit is well supported and secure before starting engine.

6. Wipe filter-mounting surface clean.
 7. Lubricate rubber gasket on new oil filter with clean hydraulic oil.
 8. Spin filter onto filter housing until it makes contact, and then turn filter 3/4 turn to tighten.
 9. Reinstall filter guard and torque to 7.3 N•m (65 lb-in). DO NOT overtighten.
 10. Add 15W-50 synthetic motor oil (Gravely p/n 00057100) or equivalent until oil appears at the bottom of the fill port (1892.7 mL (64 fl. ounces) per transaxle).
 11. Reinstall the vent / fill plug and torque to 20.3 N•m (180 lb-in).
 12. Add hydraulic oil to expansion tank until oil reaches cold fill indicator mark.
 13. Repeat steps 3 – 12 for other transaxle.
 14. Purge hydraulic system. See *Purge Hydraulic System* on page 25.
1. Park unit facing a wall or chock wheels.
 2. Release parking brake.
 3. Support unit so drive wheels are off the ground.
 4. Bypass transaxles. See *Move Unit Manually* on page 18.
 5. Start the engine and slowly move steering levers forward and backward 5 or 6 times.
 6. Stop engine.
 7. Return transaxle bypass levers to operating position. See *Move Unit Manually* on page 18.
 8. Start engine.
 9. Slowly move steering levers forward and backward 5 or 6 times.
 10. Stop engine, lower unit to ground and check oil level. Add oil if needed.
 11. Repeat steps 1 – 10 until transaxles operate smoothly in forward and reverse at normal speed without excessive noise.

SERVICE & ADJUSTMENTS



WARNING: AVOID INJURY.
Read and understand the *Safety* section before proceeding.

ADJUST SEAT

See Figure 26.

1. Pull seat adjustment lever up to unlock seat.
2. Move seat to desired position.
3. Release seat adjustment lever to lock seat in place.

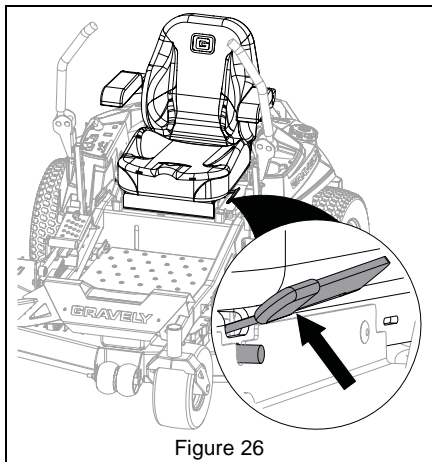


Figure 26

ADJUST STEERING LEVERS

Adjust Height

The steering lever height may be adjusted for operator comfort.

See Figure 27.

1. Stop engine, remove key and wait for moving parts to stop and for hot parts to cool.
2. Remove steering lever hardware and remove steering lever from lower control arm.
3. Position steering lever at desired height and align with lower control arm. Secure with original hardware.

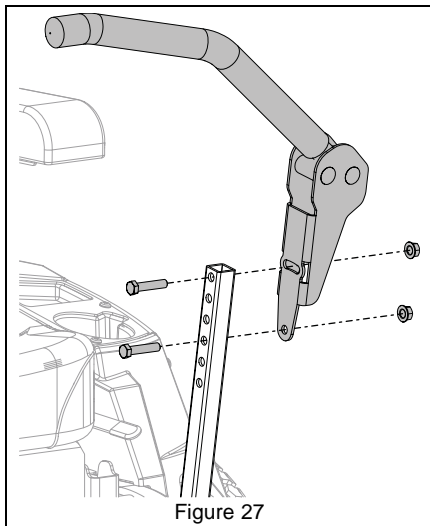


Figure 27

4. Adjust steering lever position. See *Adjust Steering Levers* on page 26.
5. Turn eccentric spacer so levers are at the same height and have a 1.3 cm – 2.5 cm (1/2" – 1") gap between lever ends. See Figure 28.

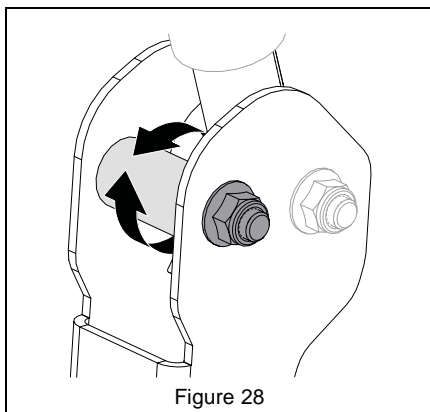


Figure 28

If there is more than 3.2 mm (1/8") between the horizontal alignment of the steering levers, align the levers.

6. Stop engine, remove key and wait for moving parts to stop and for hot parts to cool.
7. Engage parking brake.
8. Loosen mounting hardware, align levers and tighten hardware. See Figure 29.

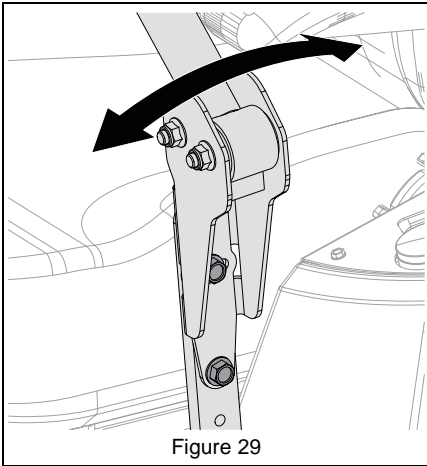


Figure 29

Adjust Forward Position

The steering lever forward position may be adjusted for operator comfort.

1. Stop engine, remove key and wait for moving parts to stop and for hot parts to cool.
2. Loosen mounting hardware on steering lever assemblies.
3. Place steering levers in desired position:
 - Gently push levers forward for greater distance from operator.
 - Gently pull levers back for closer distance to operator.
4. Tighten hardware.

ADJUST UNIT TO DRIVE STRAIGHT

NOTICE: Reverse travel can only be adjusted by your Gravelly dealer.

Adjust Tire Pressure

1. Place unit in service position. See *Service Position* on page 18.
2. Check tire pressures. If needed, adjust to recommended pressures. See *Specifications* on page 40.
3. Check tracking.
 - If unit does not track straight, increase tire pressure to the drive wheel of the side it moves toward.

IMPORTANT: DO NOT exceed maximum tire pressure listed on tire sidewall.

- If increasing tire pressure does not correct tracking, adjust the limiter bolts as directed below.

Adjust Limiter Bolts

See Figure 30.

Limiter bolts can be adjusted to increase or decrease drive wheel speeds. To adjust:

1. Loosen jam nut.
 - Turn limiter bolt counterclockwise to increase maximum drive wheel speed on that side.
 - Turn limiter bolt clockwise to reduce maximum drive wheel speed on that side.
2. Tighten jam nut.

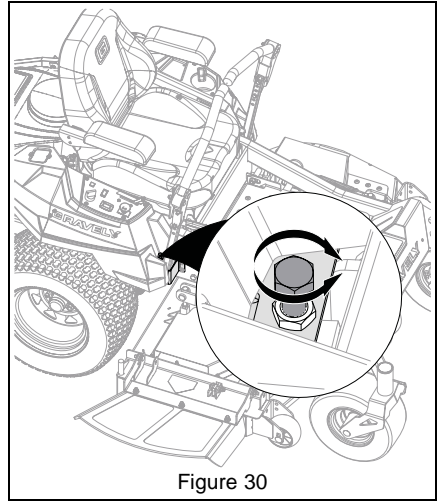


Figure 30

3. Align steering levers. See *Adjust Steering Levers* on page 26.

ADJUST TRANSAXLES

Check For Excessive Creep



WARNING: AVOID INJURY.

This adjustment requires operating the engine. Use extreme care to avoid contact with moving parts and hot surfaces. Be sure rear of unit is well supported and secure before starting engine.

1. Operate unit for a minimum of 5 minutes to warm hydraulic system.
2. Stop engine and engage parking brake.
3. Chock front wheels and support unit so both drive wheels are off the ground.
4. Remove drive wheels.

5. Start engine, move throttle lever to fast position and release parking brake.
6. Move steering levers forward and backward 5 or 6 times and then return levers to neutral position.
7. Check hubs for rotation.
 - If there is only slight rotation, stop engine, reinstall wheels and lower unit to ground.
 - If there is excessive rotation, adjust neutral position as directed below.

IMPORTANT: Torque wheel lug nuts to 81.3 N•m – 122.0 N•m (60 lb-ft – 90 lb-ft).

Adjust Neutral Position

If wheel hub has excessive rotation after checking for excessive creep, adjust neutral position.

1. Loosen the return-to-neutral screw on the transaxle. See Figure 31.

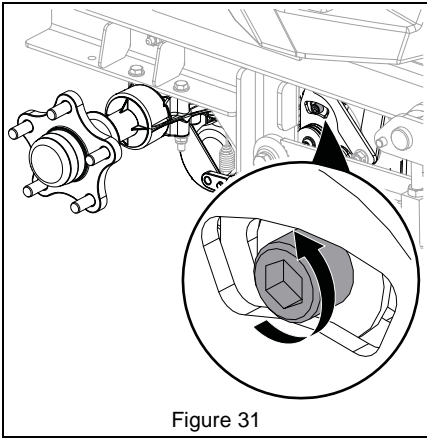


Figure 31

2. Slowly turn transaxle control arm in the opposite direction of hub rotation until hub stops. See Figure 32.

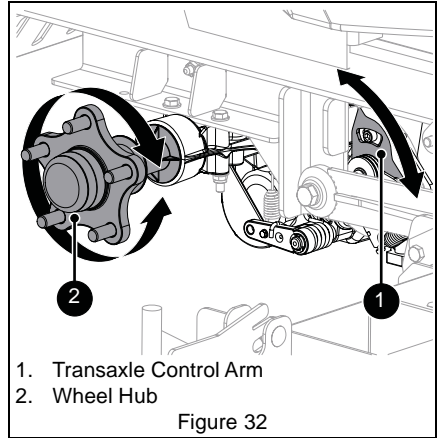


Figure 32

3. Hold the transaxle control arm in position and tighten the return-to-neutral screw.
4. Start engine, move throttle lever to fast position and release parking brake.
5. Move steering levers forward and backward 5 or 6 times and then return levers to neutral position.
6. Check wheel hubs for rotation.
 - If there is only slight rotation, stop engine, reinstall wheels, return unit to operating position and advance to *Adjust Parking Brake Lever* on Page 33.
 - If there is excessive rotation, repeat steps 1 – 6.

IMPORTANT: Torque wheel lug nuts to 81.3 N•m – 122.0 N•m (60 lb-ft – 90 lb-ft).

ELECTRICAL SERVICE

See Figure 33.

Replace Fuse

NOTICE: To avoid damaging the circuit, replace fuses with fuses of the same amperage rating. Determine the cause of electrical failure and repair before replacing failed electrical components.

1. Remove defective fuse.
2. Determine cause of fuse failure and repair condition.
3. Install new fuse.

Replace Relay

NOTICE: Relays are interchangeable. Use only quality replacement parts. See *Service Parts* on page 19.

1. Remove defective relay.
2. Determine cause of relay failure and repair condition.
3. Install new relay.

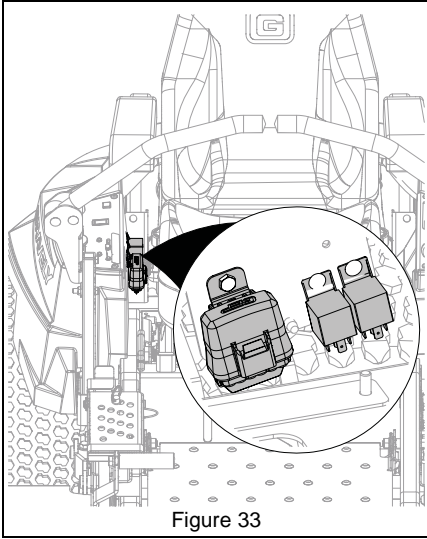


Figure 33

REPLACE MOWER BELTS



CAUTION: Damage or worn belts may result in injury and / or damage to the unit. Check belts for excessive wear or cracks often.

Remove PTO Belt

1. Place unit in service position. See *Service Position* on page 18.
2. Position mower deck at lowest cutting height.
3. Remove hardware securing belt covers to deck and remove belt covers. See Figure 34.

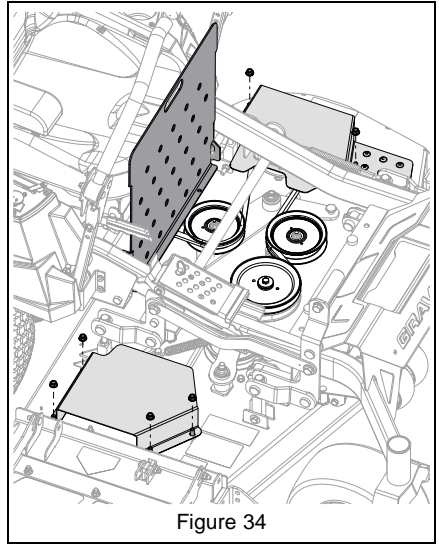


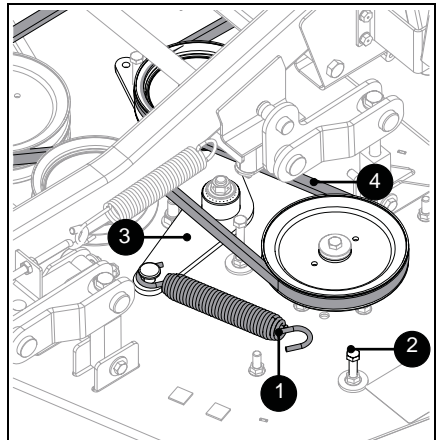
Figure 34



CAUTION: Use care when releasing idler spring tension. Keep body parts away from idlers when performing this operation.

See Figure 35.

4. Slowly remove spring hook from anchor bolt to release tension from belt idler.
5. Remove PTO belt.



1. Spring
2. Anchor Bolt
3. PTO Belt Idler
4. PTO Belt

Figure 35

Remove Mower Drive Belt

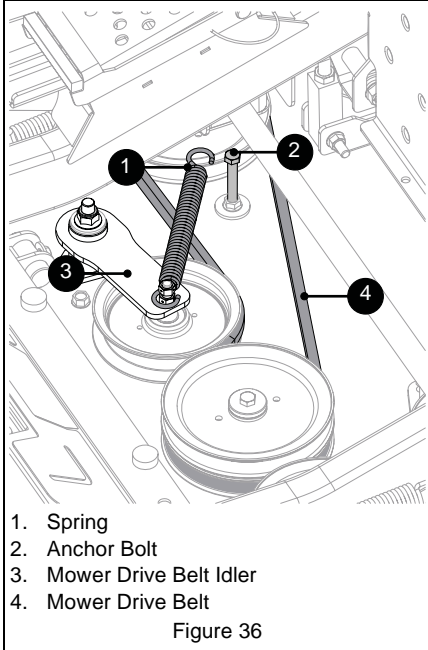
1. Remove PTO belt. See *Remove PTO Belt* on page 29.



CAUTION: Use care when releasing idler spring tension. Keep body parts away from idlers when performing this operation.

See Figure 36.

2. Slowly remove spring hook from anchor bolt to release tension from belt idler.
3. Remove mower drive belt.

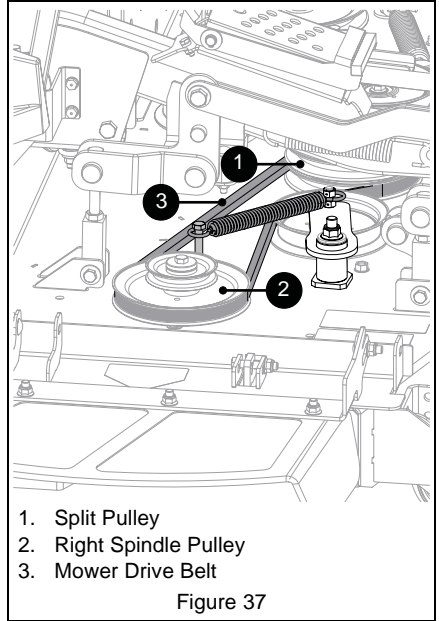


1. Spring
2. Anchor Bolt
3. Mower Drive Belt Idler
4. Mower Drive Belt

Figure 36

Install Mower Drive Belt

1. Install mower drive belt around bottom groove of split pulley at deck center and around bottom groove of right spindle pulley. See Figure 37.
2. Reinstall idler spring hook around anchor bolt to apply tension to belt.



1. Split Pulley
2. Right Spindle Pulley
3. Mower Drive Belt

Figure 37

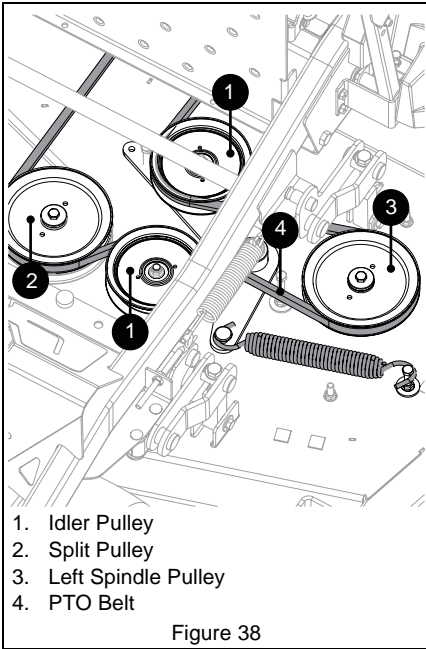
Install PTO Belt

IMPORTANT: Mower drive belt **MUST** be installed before PTO belt.

1. Install PTO belt around clutch sheave at rear of unit.

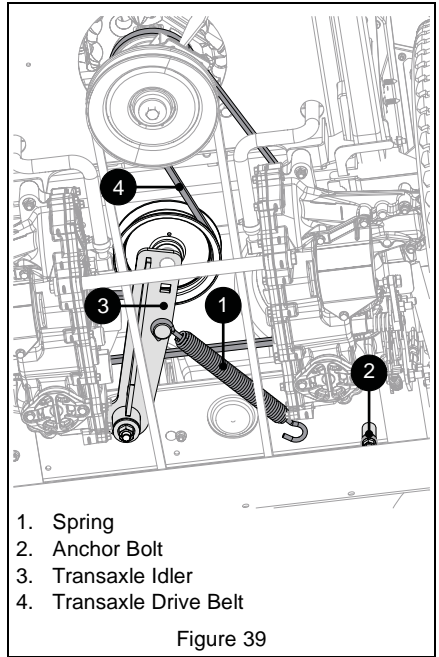
See Figure 38.

2. Install PTO belt around top groove of split pulley at deck center and around left spindle pulley.
3. Align belt with idler pulleys.
4. Reinstall idler spring hook around anchor bolt to apply tension to belt.



1. Idler Pulley
2. Split Pulley
3. Left Spindle Pulley
4. PTO Belt

Figure 38



1. Spring
2. Anchor Bolt
3. Transaxle Idler
4. Transaxle Drive Belt

Figure 39

IMPORTANT: Make sure belts are correctly aligned in pulleys.

5. Reinstall belt covers and secure with original hardware.

REPLACE TRANSAXLE DRIVE BELT

Remove Transaxle Drive Belt

1. Place unit in service position. See *Service Position* on page 18.
2. Remove PTO belt from clutch. See *Remove PTO Belt* on page 29.



CAUTION: Use care when releasing idler spring tension. Keep body parts away from idlers when performing this operation.

3. Under unit, slowly remove spring hook from anchor bolt to release transaxle idler tension. See Figure 39.

See Figure 40.

4. Remove hardware securing clutch stop bracket to frame and remove bracket.

NOTICE: DO NOT cut cable tie.

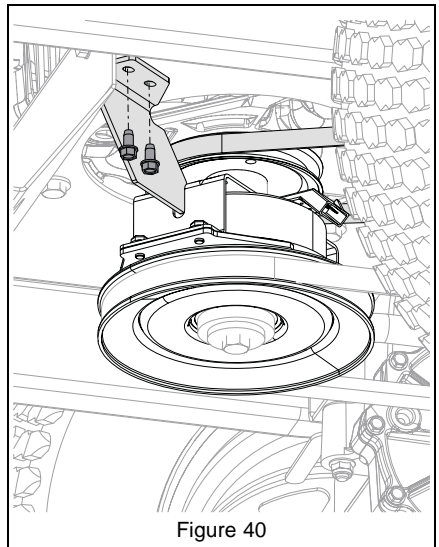


Figure 40

5. Remove transaxle drive belt from drive system in the following order:
 - a. From right transaxle sheave.
 - b. From left transaxle sheave.
 - c. From clutch sheave.

Install Transaxle Drive Belt

See Figure 41.

1. Install transaxle drive belt to drive system in the following order:
 - a. Around clutch sheave.
 - b. Around left transaxle sheave.
 - c. Around right transaxle sheave.
2. Align belt with idler pulley.
3. Reinstall idler spring hook onto anchor bolt. Make sure belt has tension and is aligned in all pulleys.

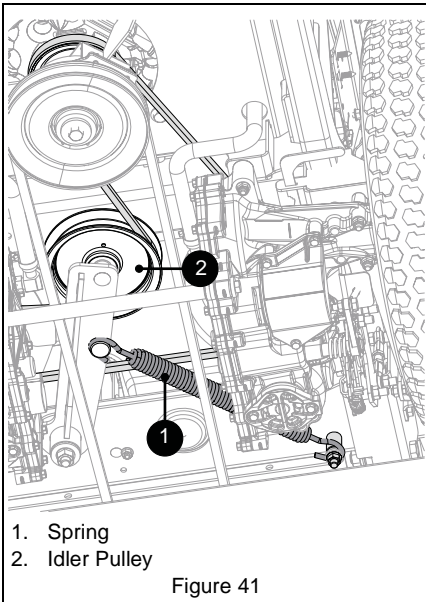


Figure 41

4. Reinstall clutch stop bracket and secure with original hardware. See Figure 42.

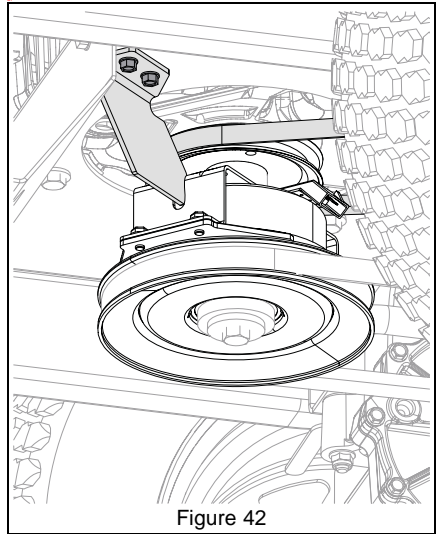


Figure 42

6. Reinstall PTO belt. See *Install PTO Belt* on page 30.

Reverse Clutch Brake Plates

See Figure 43.

1. Remove hardware securing brake plates to clutch bracket. Retain for reinstallation.
2. Reverse the brake plates and secure to clutch bracket using original hardware.

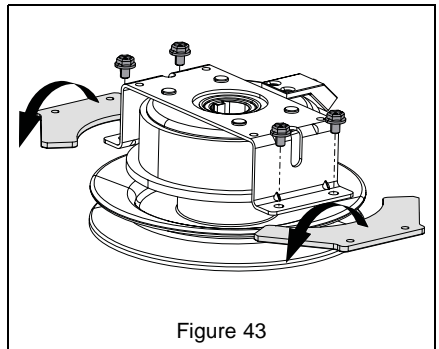


Figure 43

ADJUST ANTI-SCALP ROLLERS

See Figure 44.

The anti-scalp rollers are set at the factory for typical mowing height, but can be adjusted for high or low cutting conditions. Make sure all rollers are set to the same height.

1. Stop engine, remove key and wait for moving parts to stop and for hot parts to cool.
2. Remove hardware securing anti-scalp rollers to deck and remove rollers.
3. Position rollers as necessary:
 - For a very high cutting height, set the anti-scalp rollers in the lowest position on the bracket.
 - For a very low cutting height, set the anti-scalp rollers in the highest position on the bracket.
4. Secure with original hardware.

NOTICE: All anti-scalp rollers **MUST** be set to the same height.

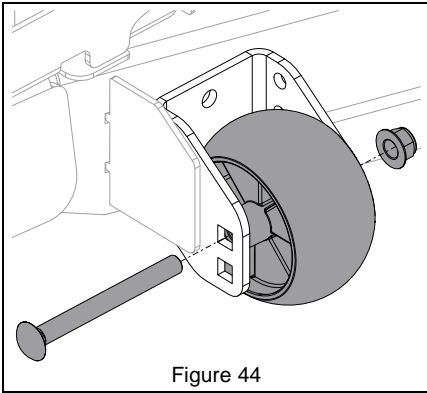
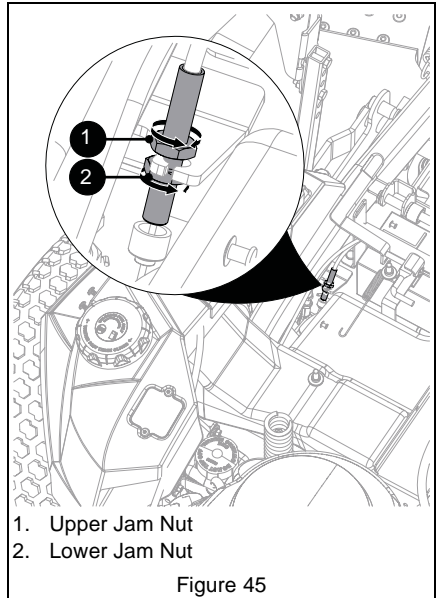


Figure 44

ADJUST PARKING BRAKE LEVER

See Figure 45.

1. Place unit in service position. See *Service Position* on page 18.
2. Loosen jam nuts on cable adjustment barrel.
3. Adjust cable tension.
 - To increase lever response, loosen the upper jam nut and tighten the lower jam nut until both jam nuts are tight against cable bracket.
 - To decrease lever sensitivity, loosen the lower jam nut and tighten the upper jam nut until both jam nuts are tight against cable bracket.
4. Check parking brake and readjust if necessary. See *Check Parking Brake* on page 20.



1. Upper Jam Nut
2. Lower Jam Nut

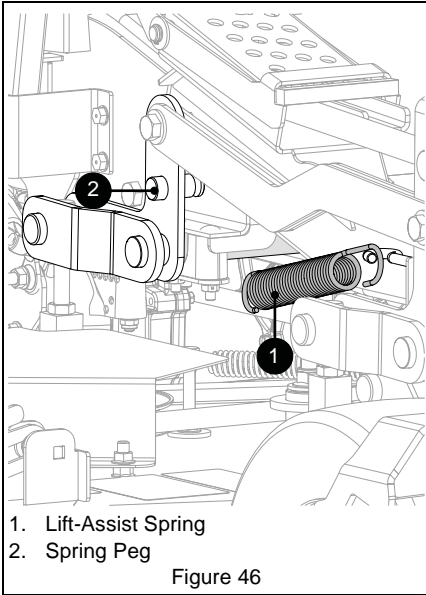
Figure 45

REMOVE AND INSTALL MOWER DECK

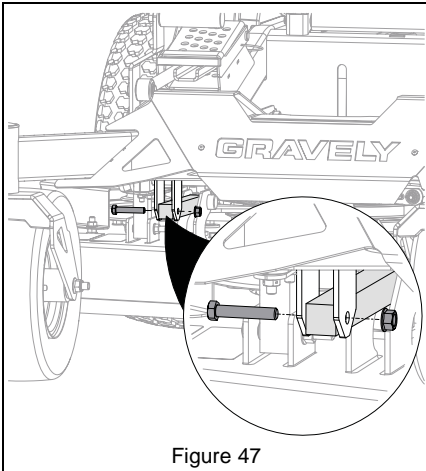
Remove Deck

1. Place unit in service position. See *Service Position* on page 18.
2. Set deck to lowest cutting height.
3. Position supports, such as wood blocks, under mower deck.
4. Remove PTO belt. See *Remove PTO Belt* on page 29.

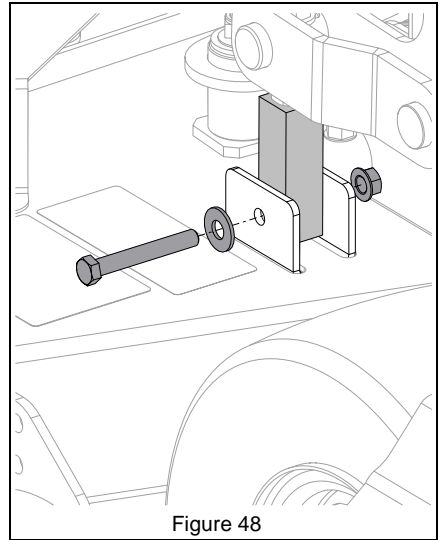
- Slowly disconnect lift-assist springs from spring peg on each side of deck. See Figure 46.



- Remove hardware retaining drag links to frame. See Figure 47.



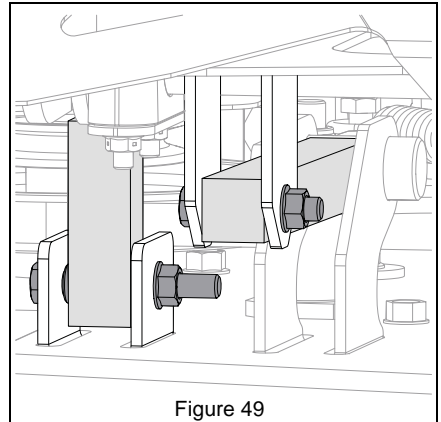
- Remove hardware retaining deck lift links to deck lift brackets. See Figure 48.



- Remove deck from under unit.

Install Deck

- Position deck under unit. See Figure 49.
- Reinstall drag links to frame with original hardware.
- Secure deck lift links to deck lift brackets with original hardware.



- Reinstall PTO belt. See *Install PTO Belt* on page 30.
- Reconnect lift-assist springs to spring pegs.

6. Level the deck. See *Level and Pitch Mower Deck* on page 35.

LEVEL AND PITCH MOWER DECK

IMPORTANT: Make sure unit is on a flat, level surface and that tires are inflated to the recommended pressures.

Check Blade Level and Pitch

1. Raise deck to 3 1/2" (8.9 cm) cutting height.
2. Stop engine, remove key and wait for moving parts to stop and for hot parts to cool.
3. Engage parking brake.

See Figure 50.

4. Position mower blades so ends point left to right across the width of the deck.
5. Measure the distance between the ground and the cutting edge of the left and right blades. If the measurements are not within 4.7 mm (3/16") of each other, level the deck. See *Level and Pitch Mower Deck* on page 35.

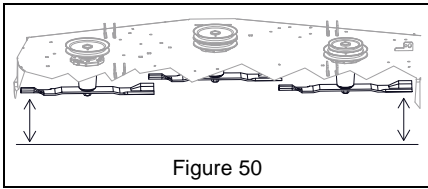


Figure 50

See Figure 51.

6. Position mower blades so ends point front to back and measure the following:
 - At the front of the deck, measure the distance between the ground and the cutting edge of the middle blade.
 - At the rear of the deck, measure the distance between the ground and the cutting edge of the left and the right blades.

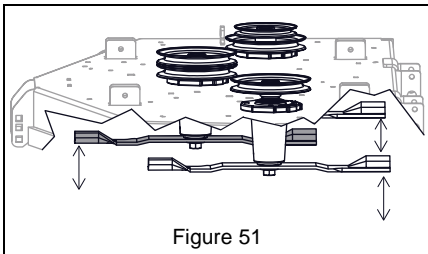


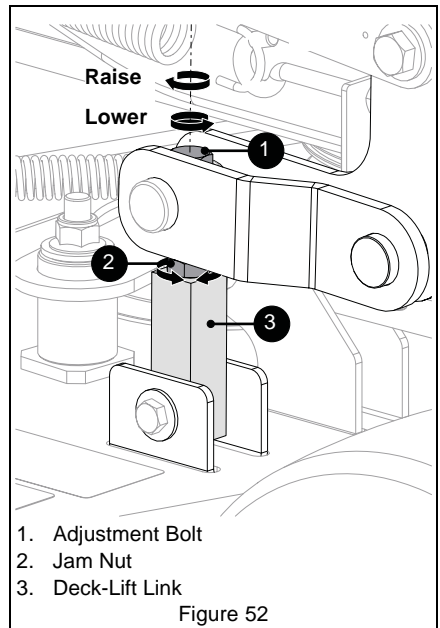
Figure 51

If the front measurement is not 3.2 mm (1/8") lower than the rear measurements, adjust the blade pitch. See *Adjust Blade Pitch* on page 36.

Level Mower Deck

See Figure 52.

1. Lower the high side of deck:
 - a. Loosen jam nuts against deck-leveling links.
 - b. Turn adjustment bolts counterclockwise.
 - c. Measure distance between the ground and cutting edges of left and right blades. Continue adjustment if necessary.
 - d. Tighten jam nuts against deck-leveling links.
2. Raise the low side of deck:
 - a. Loosen jam nuts against deck-leveling links.
 - b. Turn adjustment bolts clockwise.
 - c. Measure distance between the ground and cutting edges of left and right blades. Continue adjustment if necessary.
 - d. Tighten jam nuts against deck-leveling links.



1. Adjustment Bolt
2. Jam Nut
3. Deck-Lift Link

Figure 52

Adjust Blade Pitch

IMPORTANT: Side-to-side deck heights MUST remain level even after completing pitch adjustment.

IMPORTANT: Pitching the front of the blades lower than the rear provides a balance between cut quality and the power needed to cut grass. Certain cutting conditions require the deck rear to be pitched lower than the front. Positioning the deck this way requires more engine power but can provide better cut quality.

1. Increase forward pitch:
 - a. Loosen jam nuts against all deck-leveling links.
 - b. Turn front adjustment bolts counterclockwise to lower deck front.
 - c. Turn rear adjustment bolts clockwise to raise deck rear.
 - d. Check adjustment. See *Check Blade Level and Pitch* on page 35.
 - e. Tighten jam nuts against deck-leveling links.
2. Decrease forward pitch:
 - a. Loosen jam nuts against all deck-leveling links.
 - b. Turn front adjustment bolts clockwise to raise deck front.
 - c. Turn rear adjustment bolts counterclockwise to lower deck rear.
 - d. Check adjustment. See *Check Blade Level and Pitch* on page 35.
 - e. Tighten jam nuts against deck-leveling links.

TROUBLESHOOTING

Problem	Probable Cause	Correction
Engine does not start.	Safety Interlock System is not engaged or is faulty.	Check Safety Interlock System. See <i>Check Safety Interlock System</i> on page 20.
	Fuel tank is empty.	Fill fuel tank. See <i>Before Operating Unit</i> on page 16.
	Fuel supply is contaminated.	Replace with clean fuel.
	Battery is discharged.	Charge battery. See <i>Install U1 Battery</i> on page 23.
	Connection between battery and battery cables is poor.	Tighten and/or clean battery and battery cables. See <i>Clean Battery</i> on page 23.
	Spark plug wire(s) are loose or spark plug(s) are faulty.	Connect spark plug wire(s) or replace spark plug(s). Refer to engine manual.
	Electrical system is faulty.	Contact your Gravely dealer.
Engine runs rough.	Engine is faulty.	Contact your AriensGravely dealer.
	Choke control knob is in on position.	Move knob to off position.
	Air filter cartridge is plugged.	Clean or replace air filter cartridge. Refer to engine manual.
Engine overheats.	Engine is faulty.	Contact your Gravely dealer.
	Engine oil level is low.	Add engine oil. Refer to engine manual.
	Cooling fins are plugged.	Clean engine. Refer to engine manual.
Unit does not drive.	Engine is faulty.	Contact your Gravely dealer.
	The transaxles are bypassed.	Engage levers. See <i>Move Unit Manually</i> on page 18.
	Transaxle drive belt is faulty.	Contact your Gravely dealer.
PTO malfunctions.	Transaxles are faulty.	Contact your Gravely dealer.
	Operator presence switch is not engaged.	Activate switch by sitting on operator seat.
	Operator presence switch is faulty.	Contact your Gravely dealer.
	PTO belt is faulty.	Replace deck drive belt. See <i>Replace Relay</i> on page 29.
Unit moves with engine off and parking brake engaged.	PTO switch, wiring, connectors or clutch are faulty.	Contact your Gravely dealer.
	Parking brake needs adjustment.	Adjust parking brake lever. See <i>Adjust Parking Brake Lever</i> on page 33.
Unit does not drive straight.	Parking brake is faulty.	Contact your Gravely dealer.
	Tire pressure is incorrect.	Check tire pressure. See <i>Specifications</i> on page 40.
	Steering levers need adjustment.	See <i>Adjust Steering Levers</i> on page 26.
Unit creeps when steering levers are in neutral position.	Transaxles and/or linkages need adjustment.	Contact your Gravely dealer.
	Transmission and/or linkage need adjustment.	Contact your Gravely dealer.

TROUBLESHOOTING

Problem	Probable Cause	Correction
Poor cutting quality.	Mower blades not level or mower deck pitch is incorrect.	Level and adjust pitch of mower deck. See <i>Level and Pitch Mower Deck</i> on page 35.
	Mower blades are dull or faulty.	Sharpen or replace mower blades. See <i>Sharpen Blades</i> on page 22.
	Mowing speed is too fast.	Drive slower when cutting grass.
	Belt tension or condition is poor.	Replace mower belts. See <i>Check Mower Belts</i> on page 24.
	Cutting height is too low.	Do not set height of cut too low. For very tall grass, mow twice.
Blades do not stop within 5 seconds.	Clutch brake plates worn.	Reverse clutch brake plates. See <i>Reverse Clutch Brake Plates</i> on page 32. If clutch brake plates have already been reversed, replace clutch.

STORAGE

SHORT-TERM STORAGE

IMPORTANT: NEVER wash unit with high-pressure water or store outdoors.

1. Allow unit to cool and clean with mild soap and water.
2. Tighten all hardware to correct specifications.
3. Inspect unit for visible signs of wear or damage. Repair as needed.
4. Prepare fuel system for storage.

NOTICE: Gravely recommends using a quality fuel stabilizer in all fuel. Gasoline left in the fuel system without a stabilizer, even for short periods of time, deteriorates and leaves gummy deposits in the system that may damage the carburetor and fuel hoses, filter and tank. For the best effectiveness, add stabilizer to all fuel containers whenever purchasing fuel. Add the stabilizer to the container before adding fuel.

- a. Add fuel stabilizer (see *Service Parts* on page 19) or equivalent according to manufacturer's instructions to the fuel tank and any fuel containers with remaining fuel.
 - b. Run engine outdoors for at least 5 minutes to allow stabilizer to reach the carburetor.
5. Turn key to off position and remove from ignition.
 6. Store unit in a cool, dry, protected area. DO NOT store unit outdoors.

LONG-TERM STORAGE

1. Perform short-term storage procedures.
2. Lubricate as directed in *Maintenance Schedule* on page 19.
3. Touch-up all scratched painted surfaces.
4. Remove and charge battery as directed in *Install U1 Battery* on page 23. Store battery in a cool, dry, protected area.
5. Store unit in a cool, dry, protected area. DO NOT store unit outdoors.

START-OF-SEASON PREPARATION

1. Before adding fuel for the first time after long-term storage, add fresh, stabilizer-treated fuel to fuel tank and any fuel containers with remaining fuel.
2. Charge and install the battery.

ACCESSORIES

See your Gravely dealer for a complete list of compatible accessories and attachments for your unit.

Description	Part No.
Mulch Kit – 44"	79106700
Mulch Kit – 48"	79105700
Mulch Kit – 52"	79105800
Mulch Kit – 60"	79105900
Headlight Kit	79106800
Rollover Protection Structure (ROPS) Kit	89100900
Bagger Kit	89116000
Bagger Adapter – 44"	79106300
Bagger Adapter – 48"	79106400
Bagger Adapter – 52"	79106500
Bagger Adapter – 60"	79106600
Seat Spring	79107000
Seat Isolator Kit	79106900

SPECIFICATIONS

Model Number	991152	991154	991156
Description	ZT HD 48	ZT HD 52	ZT HD 60
Engine	Kohler 7000 Pro		
Engine Displacement – cm ³ (in ³)	725.0 (44.2)		
Maximum RPM – No Load	3600 ± 75		
Oil Capacity	Refer to engine manual.		
Liquid or Air Cooled	Air		
Transmission			
Type	Hydrostatic Drive		
Oil	15W-50 synthetic motor oil (Gravely p/n 00057100) or equivalent		
Hydraulic Oil Filter	Yes		
Drive			
Forward Maximum – km/h (mph)	12.9 (8)		
Reverse Maximum – km/h (mph)	6.4 (4)		
Turning Radius	Zero		
Brakes	Parking		
Electrical			
Starter	Electric		
Battery	12 Volt 12A-190 CCA (U1 Replaceable)		
PTO (Power Take-off)	Electric PTO Clutch / Brake		
Fuel			
Fuel Tank Capacity – Liter (gal)	23 (5)		
Type	See Engine Manual		
Size and Weight			
Length – cm (in)	200.7 (79)		
Width – cm (in)	160 (63)	170.2 (67)	190.5 (75)
Height – cm (in)	119.4 (47)		
Weight – kg (lbs)	374.2 (825)	385.6 (850)	394.6 (870)
Tires			
Front Tire Size – in	13 x 6.5-6		
Rear Tire Size – in	22 x 10-12	22 x 10.5-12	22 x 12-12
Recommended Front Tire Pressure – kPa (psi)	137.9 – 172.4 (20 – 25)		
Recommended Rear Tire Pressure – kPa (psi)	103.4 – 124.1 (15 – 18)		
Mower Deck			
Cutting Height – cm (in)	3.8 – 12.7 (1.5 – 5.0)		
Cutting Height Increments	0.635 (0.25)		
Cutting Width – cm (in)	121.9 (48)	132.1 (52)	152.4 (60)
Mower Deck Lift	Mechanical Pin Lock		

SPECIFICATIONS

Model Number	991160	991162	991164	991166
Description	ZT HD 44	ZT HD 48	ZT HD 52	ZT HD 60
Engine	Kawasaki FR			
Engine Displacement – cm ³ (in ³)	726 (44.3)			
Maximum RPM – No Load	3600 ± 100			
Oil Capacity	Refer to engine manual.			
Liquid or Air Cooled	Air			
Transmission				
Type	Hydrostatic Drive			
Oil	15W-50 synthetic motor oil (Gravely p/n 00057100) or equivalent			
Hydraulic Oil Filter	Yes			
Drive				
Forward Maximum – km/h (mph)	12.9 (8)			
Reverse Maximum – km/h (mph)	6.4 (4)			
Turning Radius	Zero			
Brakes	Parking			
Electrical				
Starter	Electric			
Battery	12-Volt 12A-190 CCA (U1 Replaceable)			
PTO (Power Take-off)	Electric PTO Clutch / Brake			
Fuel				
Fuel Tank Capacity – Liter (gal)	23 (5)			
Type	See Engine Manual			
Size and Weight				
Length – cm (in)	200.7 (79)			
Width – cm (in)	149.9 (59)	160 (63)	170.2 (67)	190.5 (75)
Height – cm (in)	119.4 (47)			
Weight – kg (lbs)	365.1 (805)	374.2 (825)	385.6 (850)	394.6 (870)
Tires				
Front Tire Size – in	13 x 6.5-6			
Rear Tire Size – in	22 x 10-12		22 x 10.5-12	22 x 12-12
Recommended Front Tire Pressure – kPa (psi)	137.9 – 172.4 (20 – 25)			
Recommended Rear Tire Pressure – kPa (psi)	103.4 – 124.1 (15 – 18)			
Mower Deck				
Cutting Height – cm (in)	3.8 – 12.7 (1.5 – 5.0)			
Cutting Height Increments	0.635 (0.25)			
Cutting Width – cm (in)	111.8 (44)	121.9 (48)	132.1 (52)	152.4 (60)
Mower Deck Lift	Mechanical Pin Lock			

SPECIFICATIONS

Model Number	991180	991182	991184	991186
Description	ZT HD 44	ZT HD 48	ZT HD 52	ZT HD 60
Engine	CARB Kawasaki FR			
Engine Displacement – cm ³ (in ³)	726 (44.3)			
Maximum RPM – No Load	3600 ± 100			
Oil Capacity	Refer to engine manual.			
Liquid or Air Cooled	Air			
Transmission				
Type	Hydrostatic Drive			
Oil	15W-50 synthetic motor oil (Gravely p/n 00057100) or equivalent			
Hydraulic Oil Filter	Yes			
Drive				
Forward Maximum – km/h (mph)	12.9 (8)			
Reverse Maximum – km/h (mph)	6.4 (4)			
Turning Radius	Zero			
Brakes	Parking			
Electrical				
Starter	Electric			
Battery	12-Volt 12A-190 CCA (U1 Replaceable)			
PTO (Power Take-off)	Electric PTO Clutch / Brake			
Fuel				
Fuel Tank Capacity – Liter (gal)	23 (5)			
Type	See Engine Manual			
Size and Weight				
Length – cm (in)	200.7 (79)			
Width – cm (in)	149.9 (59)	160 (63)	170.2 (67)	190.5 (75)
Height – cm (in)	119.4 (47)			
Weight – kg (lbs)	365.1 (805)	374.2 (825)	385.6 (850)	394.6 (870)
Tires				
Front Tire Size – in	13 x 6.5-6			
Rear Tire Size – in	22 x 10-12		22 x 10.5-12	22 x 12-12
Recommended Front Tire Pressure – kPa (psi)	137.9 – 172.4 (20 – 25)			
Recommended Rear Tire Pressure – kPa (psi)	103.4 – 124.1 (15 – 18)			
Mower Deck				
Cutting Height – cm (in)	3.8 – 12.7 (1.5 – 5.0)			
Cutting Height Increments	0.635 (0.25)			
Cutting Width – cm (in)	111.8 (44)	121.9 (48)	132.1 (52)	152.4 (60)
Mower Deck Lift	Mechanical Pin Lock			



Consumer Mowing Equipment Limited Warranty

Ariens Company (Ariens) warrants to the **original purchaser** that Ariens, Gravely and Countax brand lawn and garden consumer products purchased on or after 9/1/2016 will be free from defects in material and workmanship for the time period noted in the chart below. Equipment put to personal use around a single household or residence is considered "Consumer Use"; equipment put to any business use (agricultural, commercial, or industrial) or used at multiple locations is considered "Commercial Use." If any product is rented or leased, then the duration of these warranties shall be 90 days after the date of purchase.

An authorized Ariens dealer (Ariens brand products), Gravely dealer (Gravely brand products), or Countax dealer (Countax brand products) will repair any defect in material or workmanship, and repair or replace any defective part, subject to the conditions, limitations and exclusions set forth herein. Such repair or replacement will be free of charge (labor and parts) to the original purchaser except as noted below.

Warranty Code	Product Group	Warranty Period Consumer Use	Warranty Period Commercial Use
HA	Zoom, ZT, IKON-X, IKON-XL, ZT-X, ZT-XL Zero-Turn Riders	3 Years	90 Days
HB	Apex, Max Zoom & ZT HD Zero-Turn Riders	3 Years	1 Year
HC	"936" Tractors, "961" Series Walk-Behind Mowers	2 Years	90 Days
HD	Classic LM Series Mowers; Wide Area Walk Mowers; Razor, XD3	3 Years	90 Days
N/A	Service (replacement) Parts	90 Days (no labor)	90 Days (no labor)
AA	Serialized Attachments	1 Year	1 Year

Special Extensions

The chart below details special extensions to this warranty:

Warranty Code	Warranty Exception	Warranty Period	Use	Detail
HA, HB	Mower Deck Shell on Zero-Turn Riders	5 Years	Consumer	3 years parts and labor Additional 2 years parts only
HA, HB	Main Frame on Zero-Turn Riders	5 Years	Consumer	3 years parts and labor Additional 2 years parts only

Exceptions and Limitations

The chart below details special exceptions to this warranty:

Warranty Code	Warranty Exception	Warranty Period	Use	Detail
All	Batteries	1 Year	Consumer	Prorated
All	Belts, Muffler, Tires	None	Commercial	These components are not covered when used commercially.
All	Cloth, Plastic, and Rubber Components (Including Belts and Cables)	Maximum 2 Years	All	Warranty is limited to 2 years for consumer use. Except as noted above, these components are covered for defect, not for wear.
All	Engines	See Engine Manufacturer's Warranty	All	Engines are covered by engine manufacturer's warranty. Refer to engine manufacturer's warranty statement.

Customer Responsibilities

Register the product immediately at the time of sale. If the dealer does not register the product, the customer must complete the product registration card in the literature package and return it to the Ariens Company, or register the unit online at www.ariens.com, www.gravely.com, www.countax.com.

To obtain warranty service, the **original purchaser** must:

- Perform the maintenance and adjustments explained in the owner's manual.

- Promptly notify Ariens or an authorized Ariens, Gravely or Countax service representative of the need for warranty service.
- Transport the product to and from the place of warranty service at owner's expense.
- Have the warranty service performed by an authorized Ariens, Gravely or Countax service representative.

To Find an Authorized Service Representative:

In the U.S. and Canada:		
Use the dealer locator on our websites: www.ariens.com • www.gravely.com		
Or contact us by mail or by phone:		
In the U.S., Canada, Mexico, Caribbean, Central and South America:	In Europe, Asia, Africa or the Middle East:	In Australia or New Zealand:
Ariens Company 655 W. Ryan Street Brillion, WI 54110 Phone: (920) 756 - 4688 www.ariens.com	Ariens Company Limited Great Haseley, Oxford OX44 7PF United Kingdom Phone: +44 800 597 7777 www.countax.co.uk	Allpower Industries Pty Ltd 128 Bridge Rd Keysborough VIC 3173 Australia Phone: +61 1800 333 428 www.allpower.com.au

Exclusions – Items Not Covered by This Warranty

- Parts that are not genuine Ariens, Gravely or Countax service parts are not covered by this warranty and may void the warranty.
- Damages resulting from the installation or use of any part, accessory, or attachment which is not approved by the Ariens Company for use with product(s) identified herein are not covered by this warranty.
- The following maintenance, service and replacement items are not covered by this warranty unless they are noted in the Limitations section above: lubricants, spark plugs, oil, oil filters, air filters, fuel filters, brake linings, brake arms, brake shoes, skid shoes, scraper blades, shear bolts, mower blades, mower vanes, brushes, headlights, light bulbs, knives, cutters.
- Any misuse, alteration, improper assembly, improper adjustment, neglect, or accident which requires repair is not covered by this warranty.
- **Use of gasoline blends exceeding 10% ethanol voids any and all warranties.**
- Products are designed to the specifications in the area that the product was originally distributed. Different areas may have significantly different legal and design requirements. This warranty is limited to the requirements in the area in which the unit was originally distributed. Ariens Company does not warrant this product to the requirements of any other area. Warranty service is limited to service within the area originally distributed.
- In countries other than the United States and Canada, contact the Ariens Company dealer for warranty policies that govern within your country. Rights may vary from country to country and within any one country.

Disclaimer

Ariens Company may from time to time change the design of its products. Nothing contained in this warranty shall be construed as obligating the Ariens Company to incorporate such design changes into previously manufactured products, nor shall such changes be construed as an admission that previous designs were defective.

LIMITATION OF REMEDY AND DAMAGES

Ariens Company's liability under this warranty, and under any implied warranty that may exist, is limited to repair of any defect in workmanship, and repair or replacement of any defective part. Ariens Company shall not be liable for incidental, special, or consequential damages (including lost profits). Some states do not allow the exclusion of incidental or consequential damages, so the above limitation or exclusion may not apply to you.

AUSTRALIAN CONSUMER LAW

The following applies solely to warranties subject to Subsection 102(1) of the Australian Consumer Law: Our goods come with guarantees that cannot be excluded by the Australian Consumer Law. You are entitled to a replacement or refund for a major failure and for compensation for any other reasonably foreseeable loss or damage. You are also entitled to have the goods repaired or replaced if the goods fail to be of acceptable quality and failure does not amount to a major failure.

DISCLAIMER OF FURTHER WARRANTY

Ariens Company makes no warranty, express or implied, other than what is expressly made in this warranty. If the law of your state provides that an implied warranty of merchantability, or an implied warranty of fitness for particular purpose, or any other implied warranty, applies to Ariens Company, then any such implied warranty is limited to the duration of this warranty. Some states do not allow limitations on how long an implied warranty lasts, so the above limitation may not apply to you.

This warranty gives you specific legal rights, and you may also have other rights which vary from region to region.



655 West Ryan Street
Brillion, WI 54110

gravelymower.com
gravely.custhelp.com

WARNING

The engine exhaust from this product contains chemicals known to the State of California to cause cancer, birth defects and other reproductive harm.

An *Ariens* Company Brand

